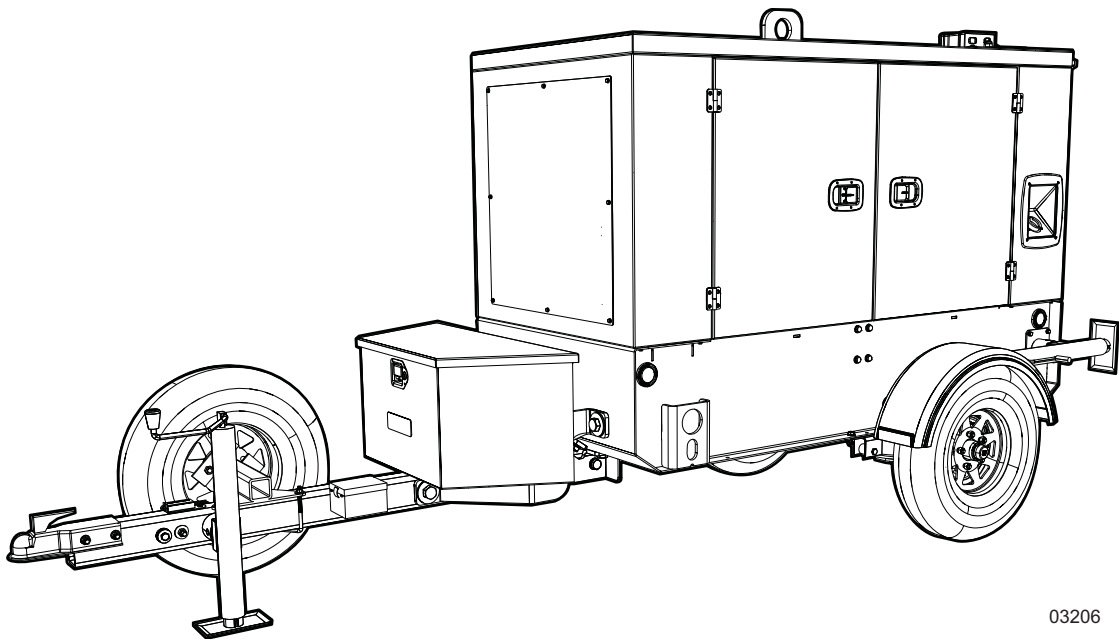


MDG25IF4-STD3

Diesel Generator Parts Manual



03206

MODEL NUMBER: _____

SERIAL NUMBER: _____

DATE PURCHASED: _____

SAVE THIS MANUAL FOR FUTURE REFERENCE

 **WARNING**

CANCER AND REPRODUCTIVE HARM

www.P65Warnings.ca.gov.

(000393a)

 **WARNING**

Breathing diesel engine exhaust exposes you to chemicals known to the State of California to cause cancer and birth defects or other reproductive harm.

- Always start and operate the engine in a well-ventilated area.
- If in an enclosed area, vent the exhaust to the outside.
- Do not modify or tamper with the exhaust system.
- Do not idle the engine except as necessary.

For more information go to

www.P65Warnings.ca.gov/diesel.

(000394)

Introduction

This parts manual was prepared based on the information available at the time of publication and is subject to change without notice. Generac Mobile Products reserves the right to change parts at any time. To check whether a revised parts manual is available, contact Generac Mobile Products.

DO NOT MODIFY or use this equipment for any application other than which it was designed for. To keep your equipment fully operational, it is suggested you maintain a stock of commonly used maintenance or service parts. A recommended spare parts list can be found in the back of this manual. To order service parts, please go to www.generacmobileproducts.com or call Generac Mobile Products.



WARNING

Consult Manual. Read and understand manual completely before using product. Failure to completely understand manual and product could result in death or serious injury. (000100a)

WARNING

Environmental Hazard. Always recycle batteries at an official recycling center in accordance with all local laws and regulations. Failure to do so could result in environmental damage, death, or serious injury. (000228)

GENERAC MOBILE PRODUCTS LLC

215 Power Drive • Berlin, WI 54923 U.S.A.

Phone: 920-361-4442

FAX: 920-361-4416

Toll Free: 1-800-926-9768

www.generacmobileproducts.com

For technical or parts QUESTIONS, contact Generac Mobile Products Technical Service at 1-800-926-9768.

Engine Make: _____

Engine Serial Number: _____

Engine Model Number: _____

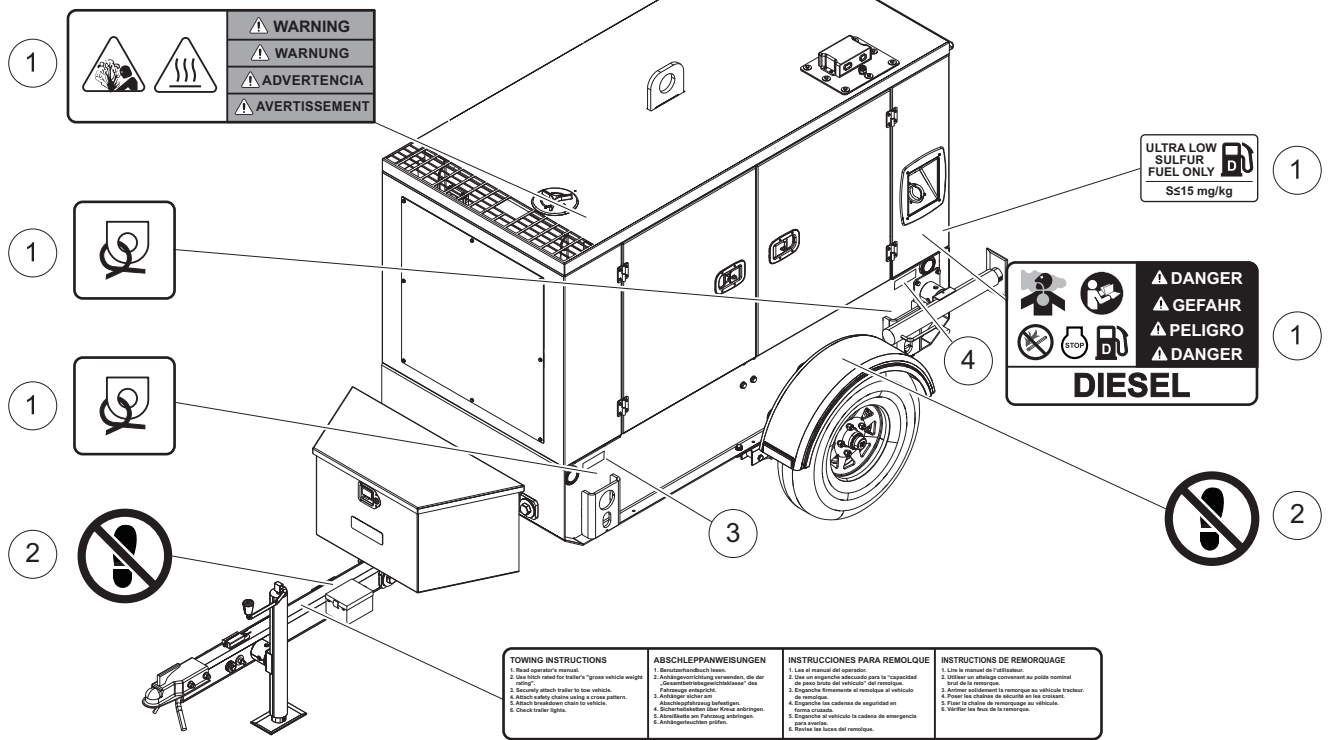
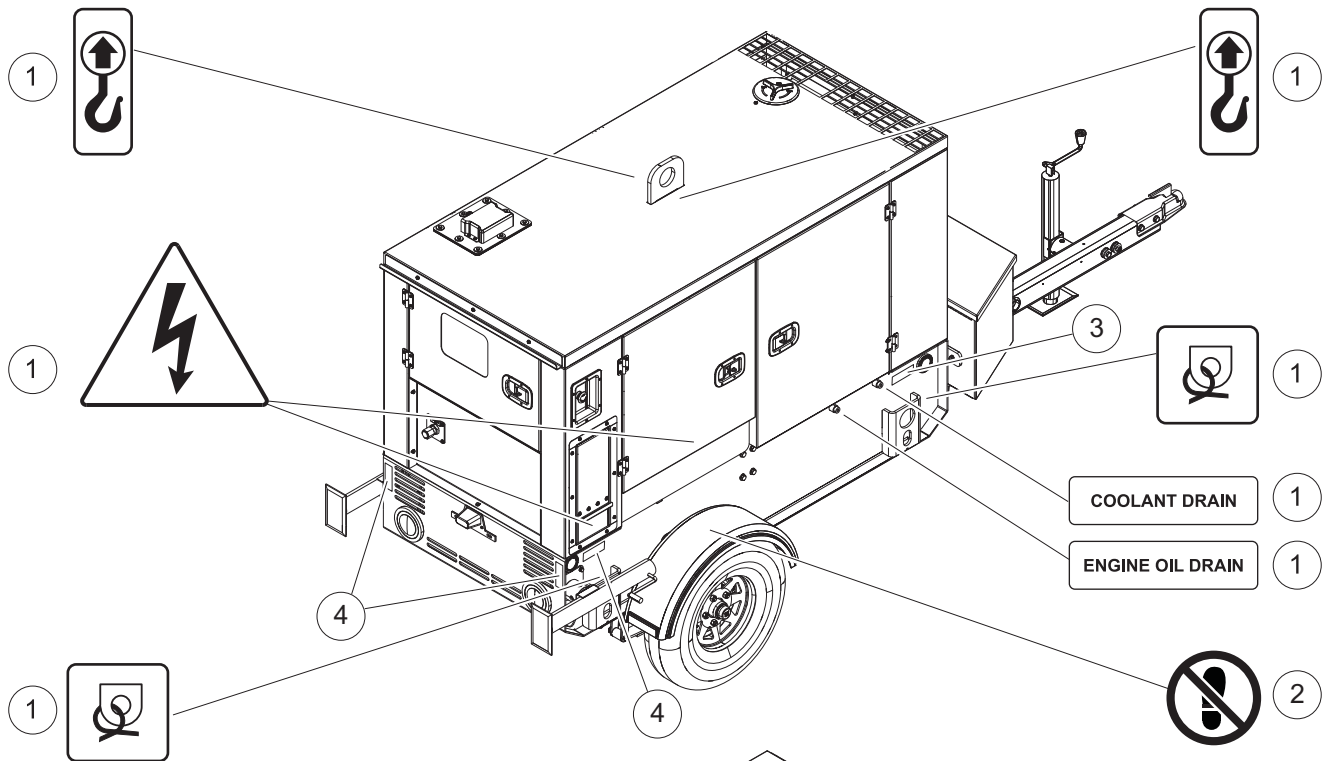
This Page Intentionally Left Blank

Table of Contents

Introduction	iii
Parts Manual Instructions.....	1
Unit Decals - Exterior.....	2
Unit Decals - Exterior.....	3
Unit Decals - Interior	4
Unit Decals - Electrical Boxes	6
Enclosure Panels	8
Doors, Roof, and Front Enclosure to Unit	10
Right Hand Door Assembly	12
Left Side Door Assembly	14
Right Side Door Assembly.....	16
Electrical Boxes and Rear Panels to Unit.....	18
AC Box Assembly	20
Lug Box Assembly.....	22
Bottom Rear Box Assembly (Alternative Fuel Option).....	24
Receptacle Panel Assembly.....	26
Control Box Assembly	28
Control Door Assembly.....	30
Lift Structure to Skid Assembly.....	32
Cooling System Assembly.....	34
Engine And Generator to Skid Assembly	36
Engine Assembly - Left Side	38
Engine Assembly - Right Side	40
Supplementary Load Accessory (if equipped).....	42
Hot Start Assembly (if equipped).....	44
Generator Assembly.....	46
Super Start Generator Assembly (if equipped).....	48
V-Flex Generator Assembly (if equipped)	50
Trailer Assembly.....	52
Tank and Skid Assembly	54
Trailer Options	56
Trailer Hitch Options	58
Recommended Spare Parts - Engine and Service Kits.....	60
Recommended Spare Parts - Electrical and Trailer	62

This Page Intentionally Left Blank

UNIT DECALS - EXTERIOR



<p>TOWING INSTRUCTIONS</p> <ol style="list-style-type: none"> Read operator's manual. Use hitch rated for trailer's "gross vehicle weight rating". Securely attach trailer to tow vehicle. Attach safety chains using a cross pattern. Check trailer lights. 	<p>ABSCHLEPPANWEISUNGEN</p> <ol style="list-style-type: none"> Anwiesungen lesen. Anhängervorrichtung verwenden, die der Gesamtlasttragfähigkeit entspricht. Dies ist die zulässige Gesamtlast. Anhänger sicher anhängen. Sicherheitsketten über Kreuz anbringen. Anhängerleuchten prüfen. 	<p>INSTRUCCIONES PARA REMOLQUE</p> <ol style="list-style-type: none"> Leer el manual del operador. Use un enganche adecuado para la "capacidad máxima de peso bruto del vehículo" del remolque. Enganche correctamente el remolque al vehículo al anclarlo. Enganche las cadenas de seguridad en forma cruzada. Revisión de la codicia de emergencia para averías. Revisar los luces del remolque. 	<p>INSTRUCTIONS DE REMORQUAGE</p> <ol style="list-style-type: none"> Lire le manuel de l'utilisateur. Utiliser un attelage convenant au poids nominal total du remorque. Attacher correctement le remorque au véhicule tracteur. Poser les chaînes de sécurité en les croisant. Vérifier l'état de la remorque.
--	--	---	---

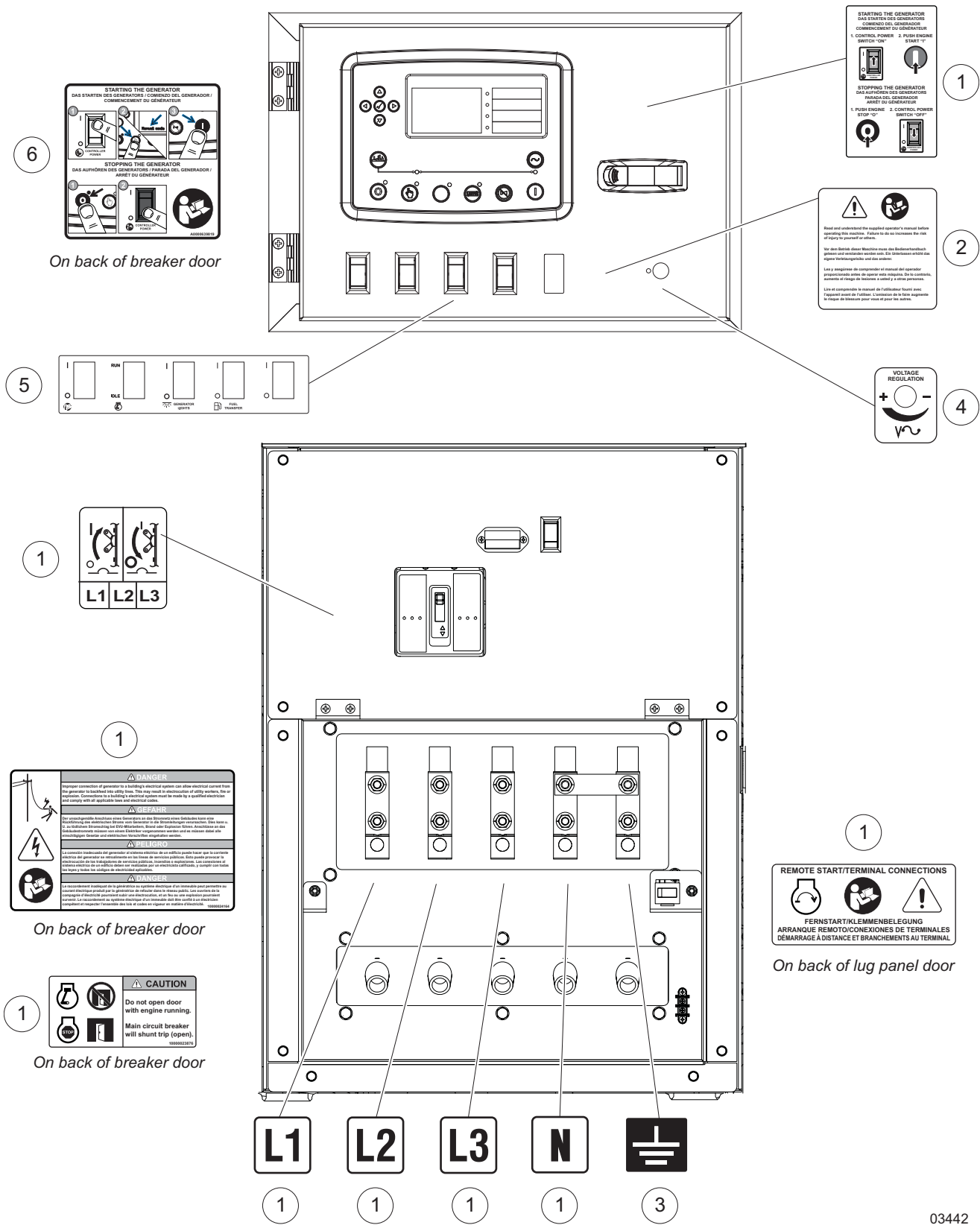
UNIT DECALS - EXTERIOR

Item	Part No.	Qty	Description	Notes
1	37695	1	Decal, safety	
2	A0000116412	3	Decal, no step	
3	A0000617187	2	Reflector, 2.00 x 3.50 SAE APSA - amber	
4	A0000617188	4	Reflector, 2.00 x 3.50 SAE APSA - red	

UNIT DECALS - INTERIOR

Item	Part No.	Qty	Description	Notes
1	37695	1	Decal, safety	
2	12142	1	Decal, ground	
3	10000023194	2	Decal, sound auto electrical hazard	

UNIT DECALS - ELECTRICAL BOXES

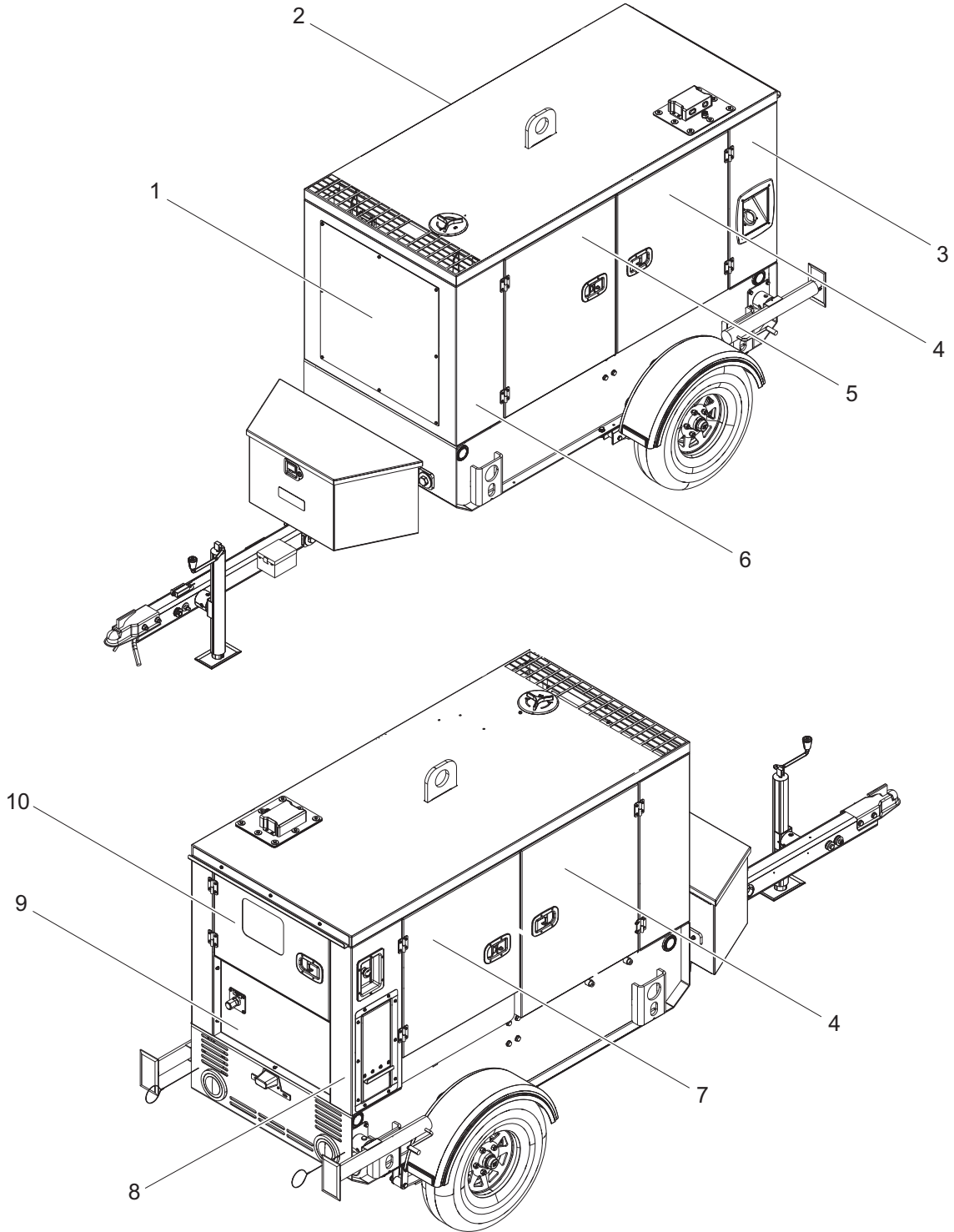


03442

UNIT DECALS - ELECTRICAL BOXES

Item	Part No.	Qty	Description	Notes
1	37695	1	Decal, safety - small F4	
2	37661	1	Decal, control - small F4	
3	12142	1	Decal, ground	
4	A0000192567	1	Decal, voltage regulator	
5	A0000705133	1	Decal, controller, switch ID 5 position	
6	A0000639819	1	Decal, controller, operation DSE 7310	

ENCLOSURE PANELS

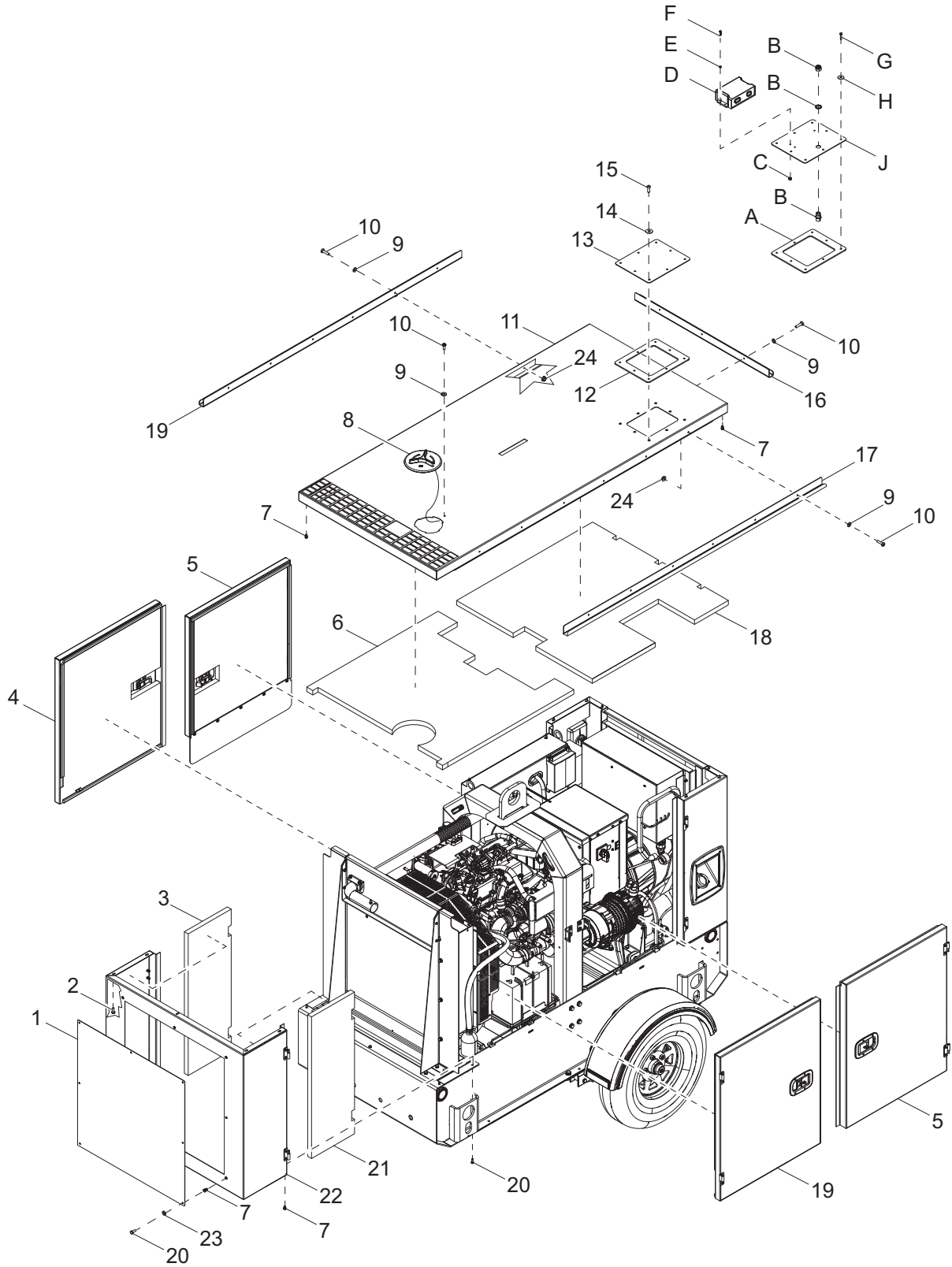


03180

ENCLOSURE PANELS

Item	Part No.	Qty	Description	Notes
1	A0000479682	1	Panel, front w/o louvers	
2	A0000787172	1	Assembly, roof	
3	A0000787178	1	Assembly, corner - fuel fill	
4	A0000787185	2	Assembly, door - standard	
5	A0000787188	1	Assembly, door -left	
6	A0000787189	1	Assembly, front panel	
7	A0000787191	1	Assembly, door - AC power distribution	
8	A0000787193	1	Assembly, panel corner - right rear	
9	A0000451386	1	Weldment, panel - lower rear	
10	A0000787195	1	Assembly, door - controls	

DOORS, ROOF, AND FRONT ENCLOSURE TO UNIT



03443

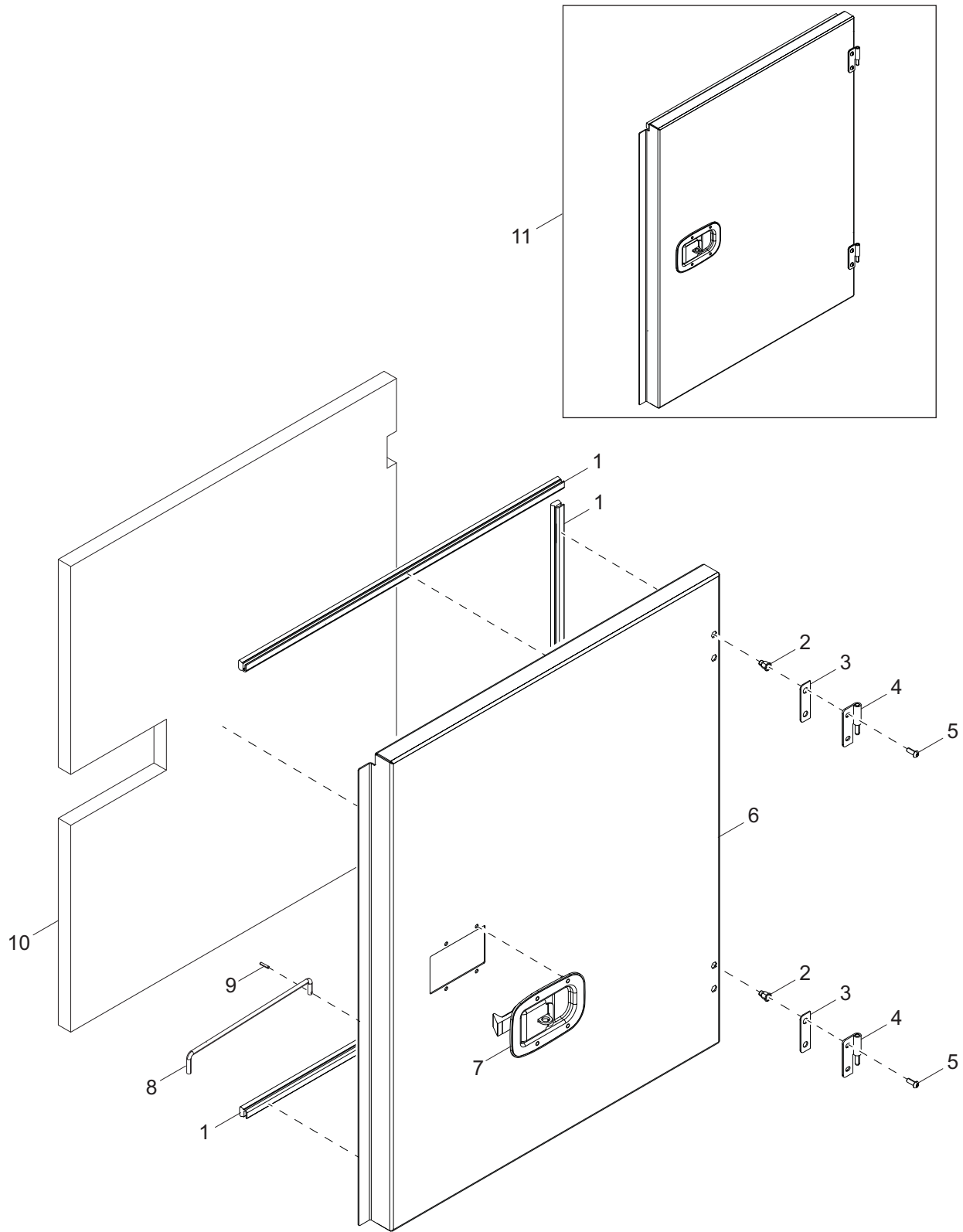
DOORS, ROOF, AND FRONT ENCLOSURE TO UNIT

Item	Part No.	Qty	Description	Notes
1	A0000479682	1	Panel, front w/o louvers	
2	G047411	11	Screw, M6-1.0 x 16 HHC, G8.8	
3	A0000787198	1	Foam, enclosure	
4	A0000787185	2	Assembly, door - standard	
5	A0000787191	1	Assembly, door - AC power distribution	
6	A0000375209	1	Foam, enclosure - front roof	
7	G092120		Nut, M6 x 1.0 lock tric	
8	0C2634	1	Cover, access	
9	61222	16	Washer, #10 sealing	
10	62268	16	Screw, 10-32 x .675 pan Phillips - SS	
11	A0000263782	1	Panel, roof	
12	A0000389488	1	Gasket, no telemetry cover	
13	A0000445881	1	Plate, no telemetry	
14	60452	8	Washer, .313 flat 1.125/1.00 - SS	
15	0G6131	8	Screw, .M6-1.00 x 30 HHC, G8.8	
16	A0000082167	1	Gutter, rear	
17	A0000684160	2	Gutter, side	
18	A0000787203	1	Foam, rear roof	
19	A0000787188	1	Assembly, door - left	
20	0A3359	16	Screw, M6-1.0 x 16 BHSC - SS	
21	A0000787204	1	Foam, enclosure	
22	A0000419294	1	Panel, front	
23	G070007	8	Washer, M6 flat - SS	
24	62064	12	Nut, 10-32 serrated flange - SS	

Telemetry (if equipped):

A	A0000389488	1	Gasket
B	15863	1	Strain relief, .500NPT .260/.546 ID
C	60061	4	Nut, 10-32 nylock
D	10000014954	1	Telemetry, ZTR
E	60067	4	Washer, #10 flat .435/.060 - SS
F	61180	4	Screw, 10-32 x .750 PPH - SS
G	0G6131	8	Screw, .M6-1.00 x 30 HHC, G8.8
H	60452	8	Washer, .313 flat 1.125/1.00 - SS
J	A0000445882	1	Cover, telemetry

RIGHT HAND DOOR ASSEMBLY

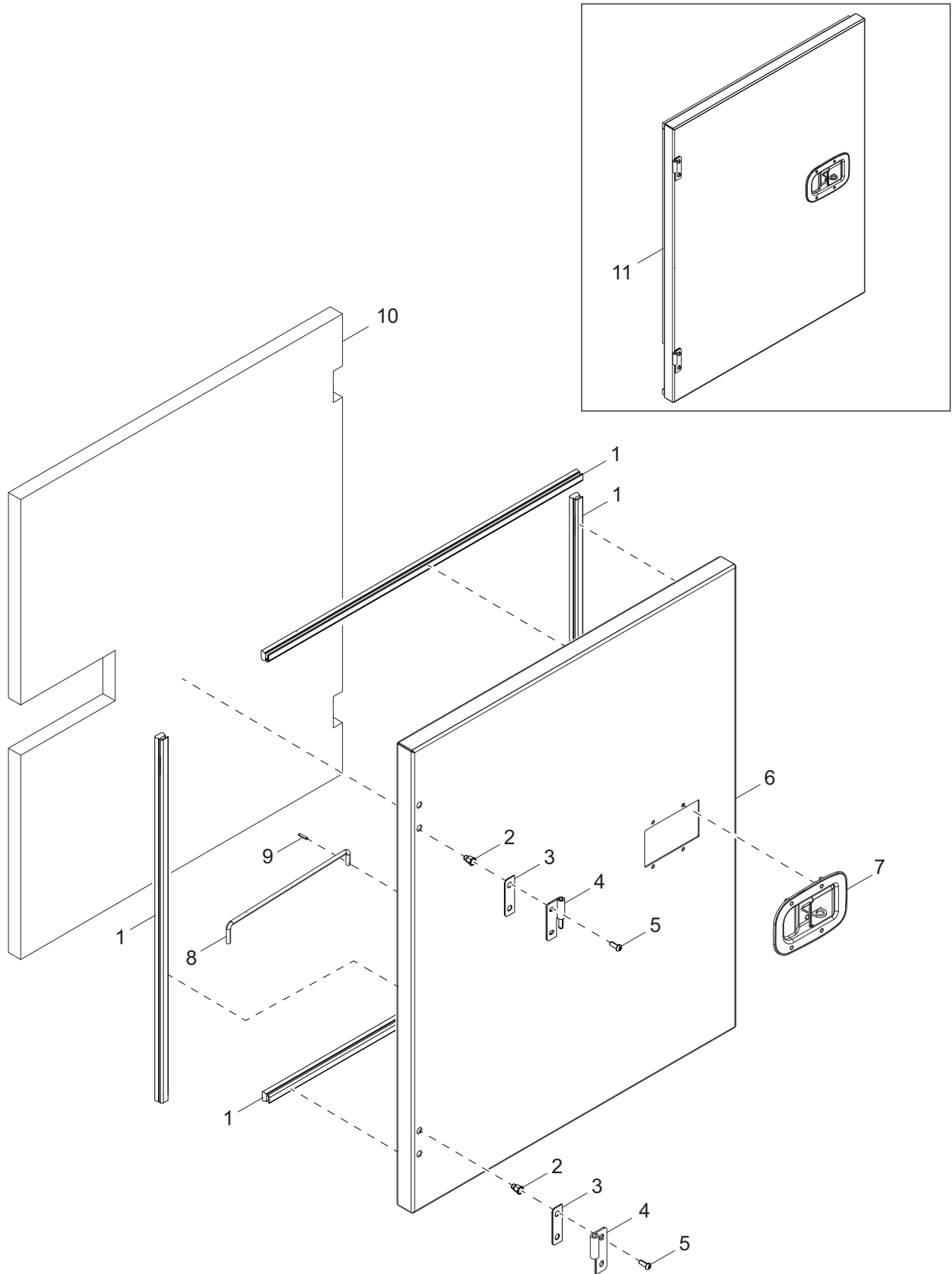


03182

RIGHT HAND DOOR ASSEMBLY

Item	Part No.	Qty	Description	Notes
1	0A9881	6.8 ft	Seal, trim - vinyl	
2	G092120	4	Nut, M6 x 1.0 lock	
3	0C2654	2	Gasket, M6 hinge	
4	N/A	2	Hinge, slip LH male - short	
5	0A3359	4	Screw, M6-1.00 x 16 button head hex - SS	
6	A0000272531	1	Panel, door RH	
7	10000040397	1	Latch, paddle - medium - padlock	
8	18900	1	Rod, door prop	
9	60048	1	Pin, roll .125 x .625	
10	A0000787212	1	Foam, door - standard	
11	A0000787185	1	Assembly, door RH - standard	

LEFT SIDE DOOR ASSEMBLY

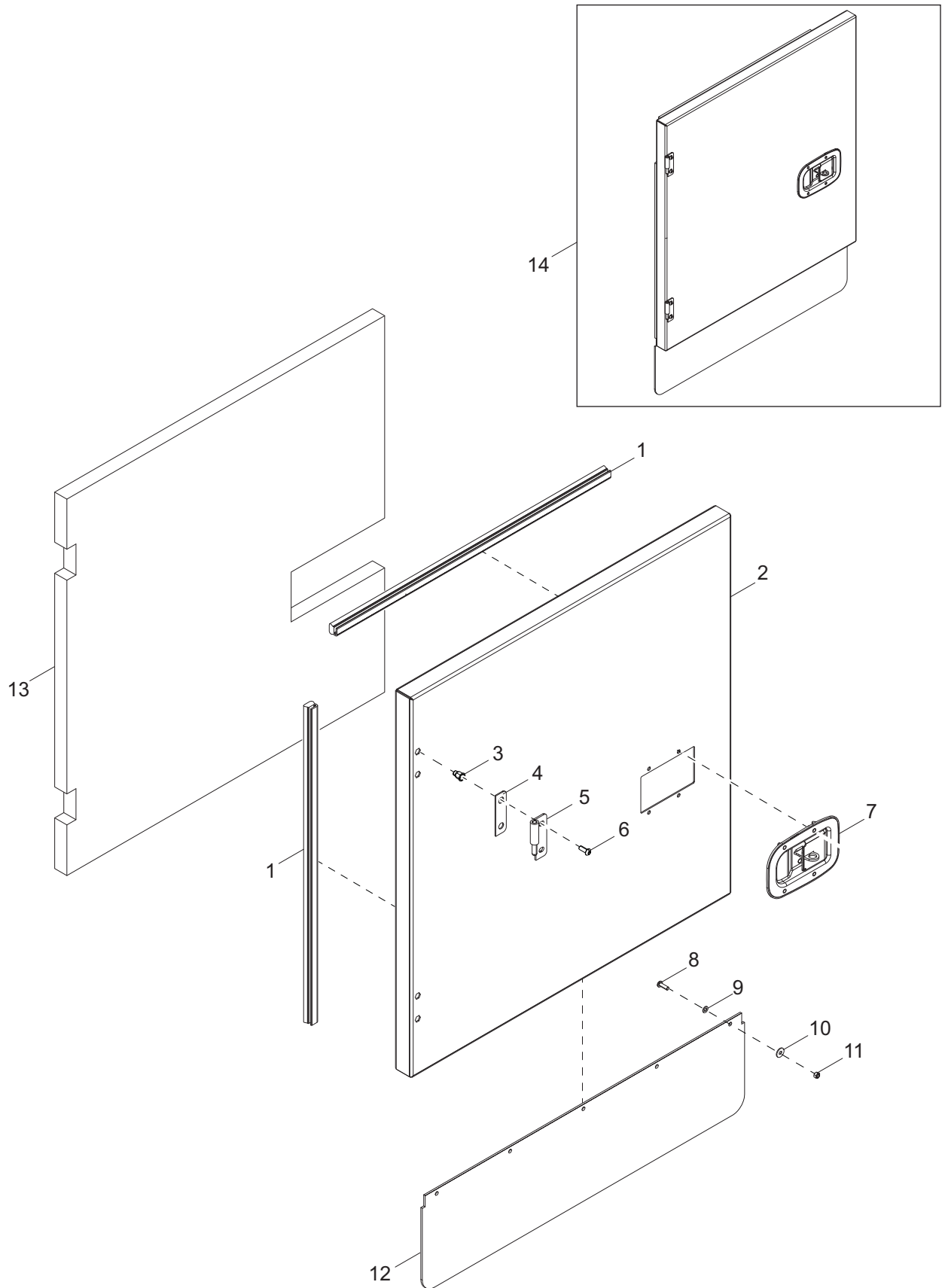


03183

LEFT SIDE DOOR ASSEMBLY

Item	Part No.	Qty	Description	Notes
1	0A9881	9.4 ft	Seal, trim - vinyl	
2	G092120	4	Nut, M6 x 1.0 lock	
3	0C2654	2	Gasket, M6 hinge	
4	N/A	2	Hinge, slip LH female - short	
5	0A3359	4	Screw, M6-1.00 x 16 button head hex - SS	
6	A0000417074	1	Panel, door RH	
7	10000040397	1	Latch, paddle - medium - padlock	
8	18900	1	Rod, door prop	
9	60048	1	Pin, roll .125 x .625	
10	A0000787212	1	Foam, door - standard	
11	A0000787188	1	Assembly, door LH - standard	

RIGHT SIDE DOOR ASSEMBLY

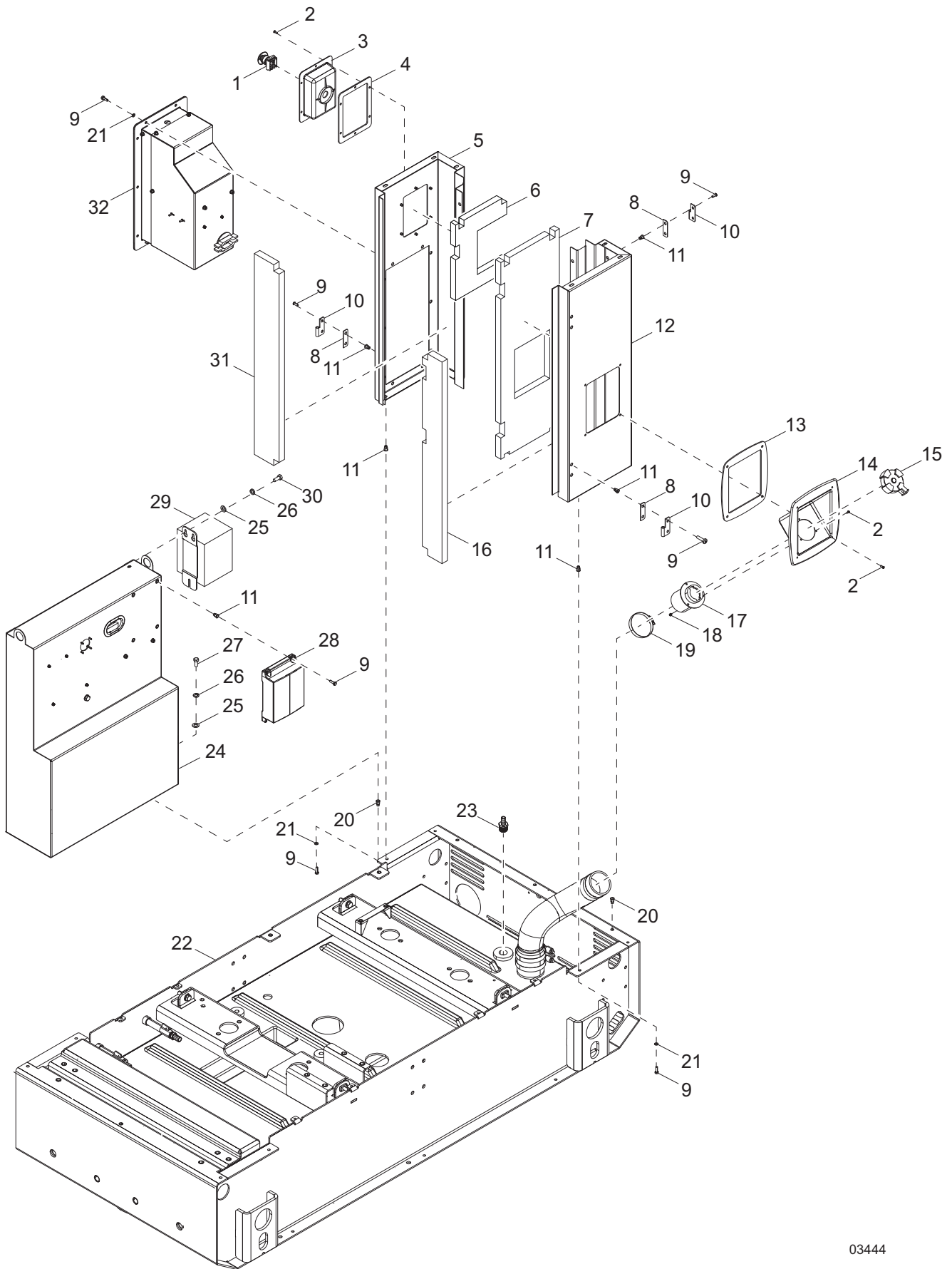


03184

RIGHT SIDE DOOR ASSEMBLY

Item	Part No.	Qty	Description	Notes
1	0A9881	5.4 ft	Seal, trim - vinyl	
2	A0000272796	1	Panel, door AC power distribution	
3	G092120	4	Nut, M6 x 1.0 lock	
4	0C2654	2	Gasket, M6 hinge	
5	N/A	2	Hinge, slip LH female - short	
6	0A3359	4	Screw, M6-1.00 x 16 button head hex - SS	
7	10000040397	1	Latch, paddle - medium - padlock	
8	G076040	5	Screw, M5-0.8 x 16 PPHM	
9	G051713	5	Washer, M5 flat	
10	0E9493	5	Washer, M5 flat DP	
11	G082025	5	Nut, M5-0.8 nylock	
12	A0000480576	1	Flap, lug door - rubber	
13	A0000787216	1	Foam, enclosure door	
14	A0000787191	1	Assembly, door AC power distribution	

ELECTRICAL BOXES AND REAR PANELS TO UNIT

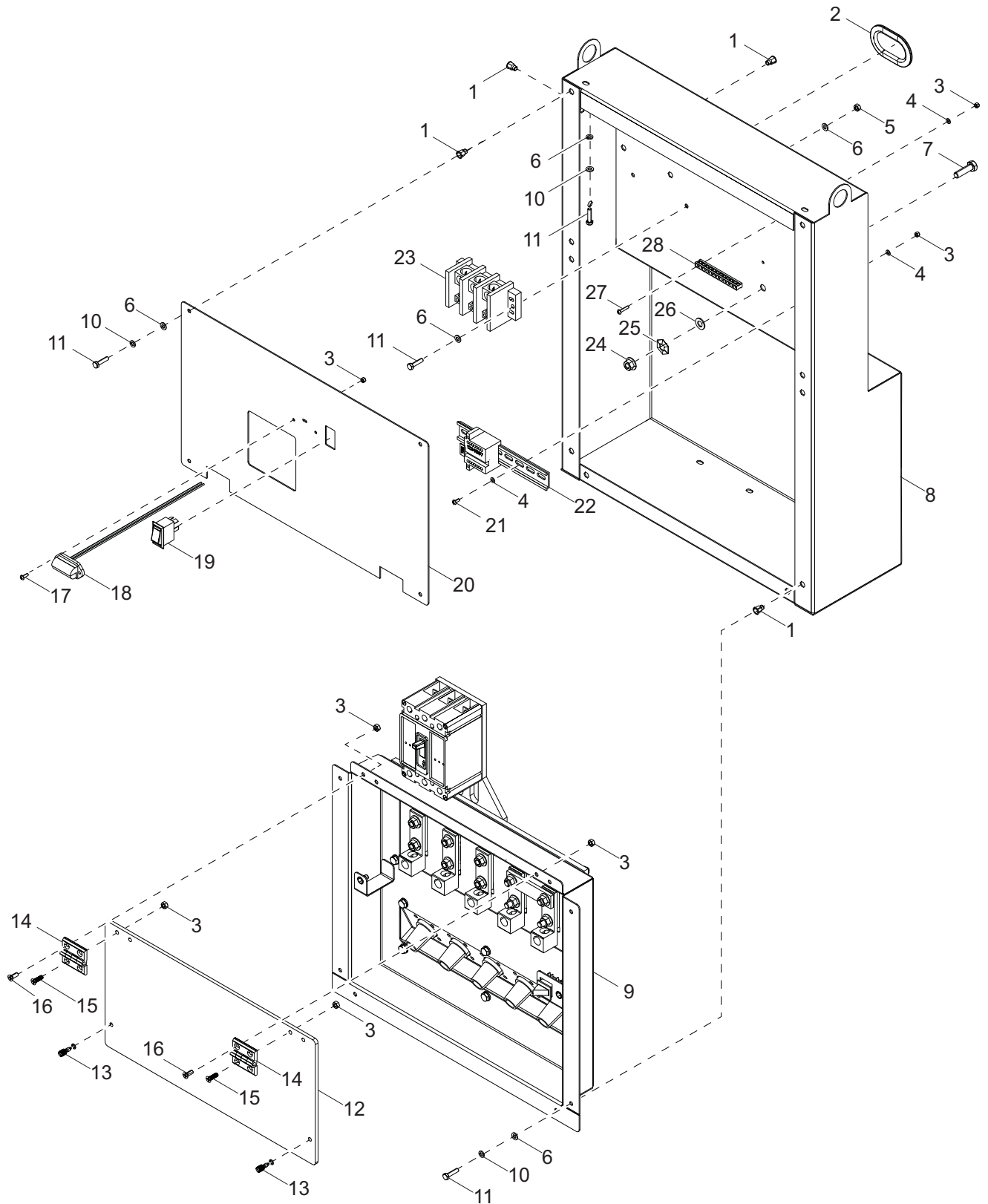


03444

ELECTRICAL BOXES AND REAR PANELS TO UNIT

Item	Part No.	Qty	Description	Notes
1	65470	1	Switch, E-stop operator	
2	OK9162	13	Screw, M4-0.70 x 12 BHSC	
3	30645	1	Panel, emergency stop	
4	10000047407	1	Gasket, emergency stop	
5	A0000293461	1	Panel, corner - right rear	
6	A0000787219	1	Foam, enclosure corner - right rear	
7	A0000790342	1	Foam, enclosure - fuel fill panel	
8	0C2654	6	Gasket, M6 hinge	
9	0A3359	16	Screw, M6-1.00 x 16 button head hex - SS	
10	N/A	6	Hinge, slip LH - female	
11	G092120	29	Nut, M6 x 1.0 lock tric	
12	A0000266368	1	Panel, corner - fuel fill	
13	10000047413	1	Gasket, fuel fill	
14	18506	1	Port, fuel fill	
15	18648	1	Cap, fuel fill w/gasket	
16	A0000790343	1	Foam, enclosure corner - fuel fill	
17	37626B	1	Weldment, filler tube	
18	0E6480	6	Nut, M4-07	
19	19336	1	Clamp, hose SAE 044 (2.31-3.25)	
20	A0000966308	5	Nut, M6 x 10 lock tric	
21	G070007	14	Washer, M6 flat - SS	
22	A0000860230	1	Assembly, skid	
23	40667	1	Fitting, straight .750MNPT x .500 barb - brass	
24	A0000860232	1	Assembly, power distribution	
25	G049811	7	Washer, M6 flat	
26	OJ7513	7	Washer, M6 lock	
27	OJ7511	4	Screw, M6-1.0 x 20 hex, G8.8 - black	
28	66212	1	Battery charger	
29	21487	1	Transformer, buck 1.13:1 single phase 500VA	
30	G036903	4	Screw, #6-32 x 5/8 Phillips head	
31	A0000860235	1	Foam, enclosure corner - right rear	
32	A0000860238	1	Assembly, AC receptacle box	

AC BOX ASSEMBLY

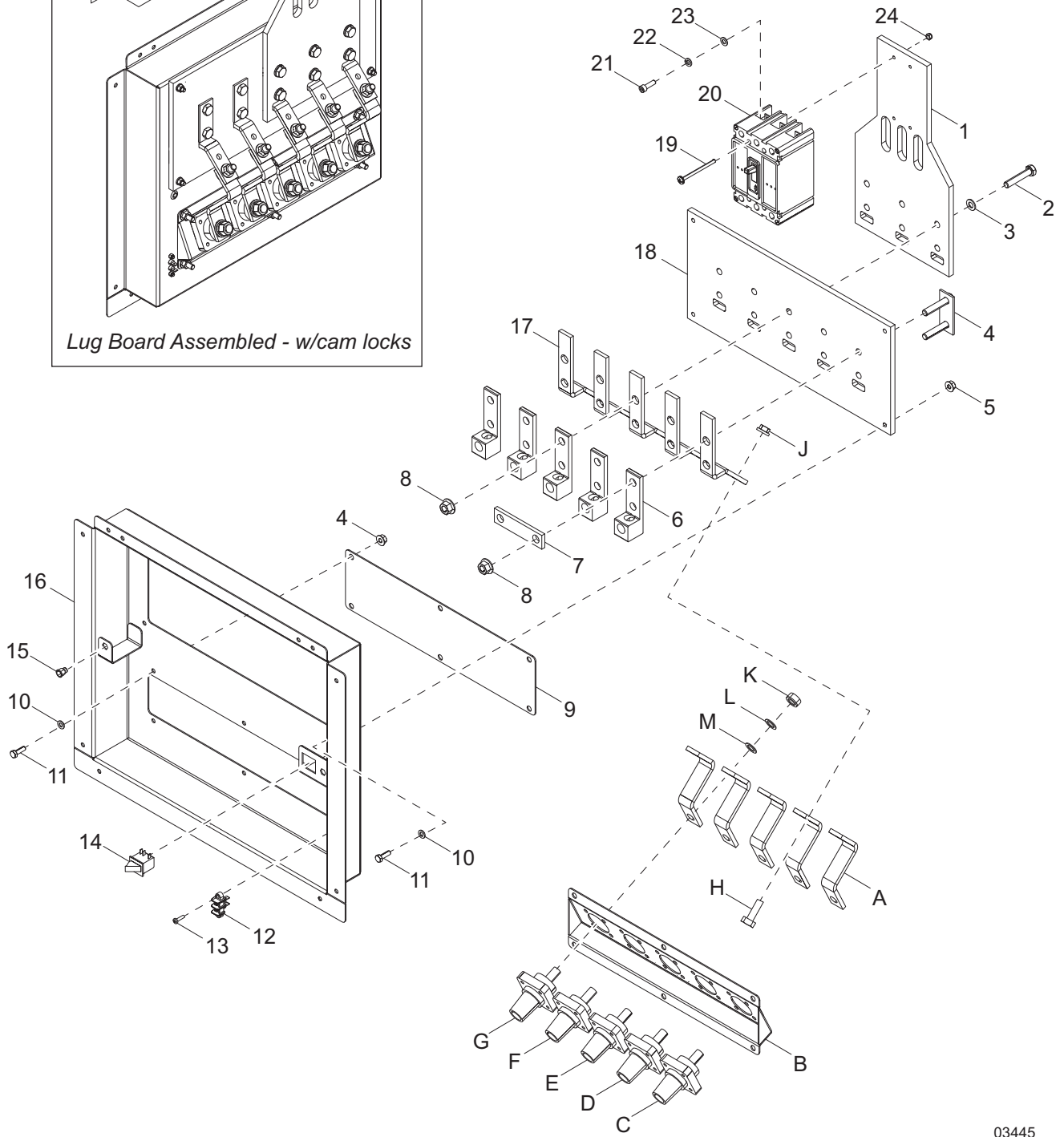
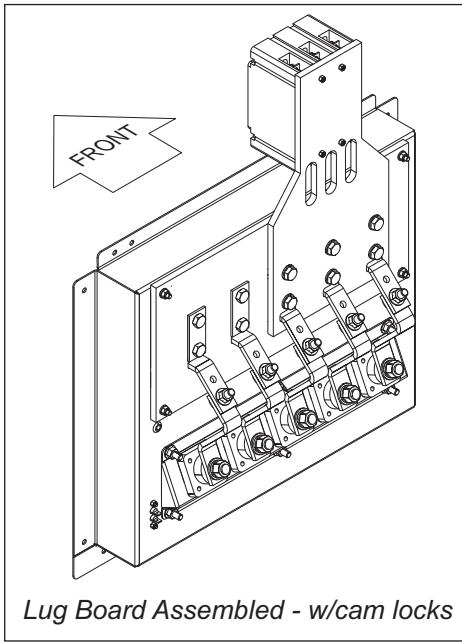


03186

AC BOX ASSEMBLY

Item	Part No.	Qty	Description	Notes
1	G092120	19	Nut, M6-1.0 insert	
2	19351	1	Seal, U-channel	
3	0E6480	12	Nut, M4-0.7 nylock	
4	G043180	6	Washer, M4 flat	
5	0A1703	4	Nut, M6-1.0 nylock	
6	G049811	28	Washer, M6 flat	
7	G049541	1	Screw, M10-1.5 x 35 hex, G8.8	
8	N/A	1	Box, AC distribution	
9	A0000391130	1	Assembly, lug support	
10	0J7513	16	Washer, M6 lock	
11	G045757	20	Screw, M6-1.0 x 25 hex, G8.8	
12	A0000331275	1	Cover, lug	
13	A0000209861	2	Screw, thumb M6-1.0 captive panel	
14	35394	2	Hinge, door - small	
15	69967	4	Screw, M6-1.0 x 20 flat Phillips - SS	
16	0J4525	4	Screw, M6-1.0 x 16 flat Phillips	
17	G020745	2	Screw, M4-0.7 x 12 pan Phillips	
18	36879	1	Light, license plate	
19	66995	1	Switch, rocker DPST - on/off	
20	A0000300926	1	Plate, breaker cover	
21	G075475	2	Screw, M4-0.7 x 10 pan Phillips	
22	68113	1	Assembly, terminal block - 7 position	
23	A0000964446	1	Block, terminal - 3 pole	
24	G052859	1	Nut, M10-1.50 nylock	
25	0A4456	1	Washer, .375 lock - special	
26	60027	1	Washer, M10 flat	
27	N/A	2	Screw, M4-0.7 x 20 pan Phillips	
28	14204	1	Kit, ground bar	

LUG BOX ASSEMBLY



03445

LUG BOX ASSEMBLY

Item	Part No.	Qty	Description	Notes
1	A0000300885	1	Plate, main breaker support	
2	G064416	6	Screw, M10-1.5 x 45 hex, G8.8	
3	60027	7	Washer, M10 flat	
4	A0000630223	2	Assembly, plate - bus bar mounting	
5	G052858	11	Nut, M18-1.25 lock flange	
6	65677	5	Lug, single terminal #6-350MCM - 2 hole	
7	37218	1	Plate, bus bar mounting	
8	G052859	11	Nut, M10-1.50 lock flange	
9	A0000383964	1	Plate, cam lock cover	
10	60031	11	Washer, M8-1.25 flat	
11	G043107	10	Screw, M8-1.25 x 25 hex, G8.8	
12	68080	1	Block, terminal 2 position - feed through	
13	G075476	2	Screw, M4-0.7 x 16 pan Phillips	
14	12632	1	Switch, trigger safety, N.O. & N. C.	
15	G092120	2	Nut, M6 x1.0 lock tric	
16	N/A	1	Weldment, lug support	
17	35389	5	Bus, lug - small F4	
18	A0000300882	1	Panel, lug support	
19	60159	4	Screw, M4-0.7 x 45 pan Phillips, G4.8	
20	A0001003393	1	Breaker, 125A	
21	0D3580	3	Screw, M5-0.8 x 20 socket head, G12.9	
22	36165	3	Washer, M5 split lock	
23	39441	3	Washer, M5 flat	
24	0E6480	4	Nut, M4-0.7 nylock	

Cam Locks (if equipped):

A	A0000417327	5	Bus bar, cam lock
B	A0000300928	1	Plate, cam lock
C	66041	1	Connector, cam lock 400A green - female
D	66040	1	Connector, cam lock 400A white - female
E	65553	1	Connector, cam lock 400A blue - female
F	65552	1	Connector, cam lock 400A red - female
G	65551	1	Connector, cam lock 400A black - female
H	G049541	5	Screw, M10-1.5 x 35 hex, G8.8
J	G052859	5	Nut, M10-1.50 lock flange
K	G022196	5	Nut, .500-13 hex
L	G022195	5	Washer, .500 split lock
M	G022304	5	Washer, .500 flat

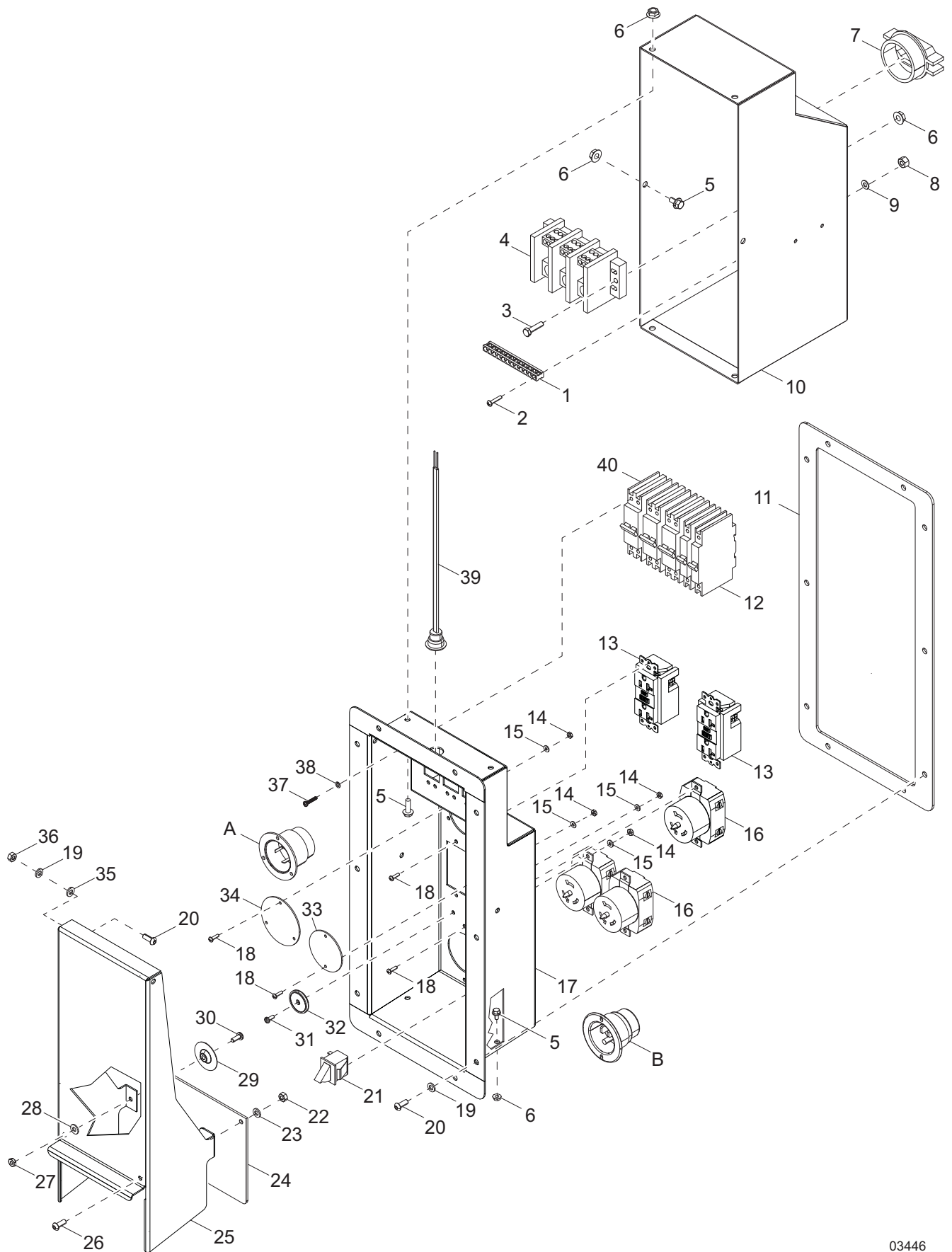
BOTTOM REAR BOX ASSEMBLY (ALTERNATIVE FUEL OPTION)

Item	Part No.	Qty	Description	Notes
1	N/A	1	Assembly, controls box	Page 28
2	G092120	11	Nut, M6-1.0 lock - insert	
3	0A3359	14	Screw, M6-1.00 x 16 button head hex - SS	
4	A0000787195	1	Assembly, controls door	
5	A0000351825	1	Plate, striker	
6	A0000793609	1	Foam bottom rear	
7	G070007	14	Washer, M6 flat - SS	
8	A0000451386	1	Weldment, panel lower rear	

Alternative Fuel Fill (if equipped)

A	51022	2.25 ft	Hose, fuel .500 ID 125PSI - inlet
B	G039253	2	Screw, M8-1.25 x 20 hex, G8.8
C	G058653	2	Washer, M8 flat
D	0E6480	4	Nut, M4-0.7 insert
E	G043180	8	Washer, M4 flat
F	A0000355619	1	Mount, transfer pump
G	63251	4	Clamp, hose - spring type
H	40667	2	Fitting, straight .750MNPT x .500 barb - brass
J	26927	1	Pump, fuel transfer 12V w/ .500 fittings
K	G092980	4	Screw, M4-0.7 x 25 pan Phillips
L	A0000793609	1	Foam bottom rear
M	A0000482890	1	Weldment, panel lower rear w/ aux fuel
N	10000037218	1	Plate, aux fuel
P	10000034673	1	Nut, 1.0625-12 lock
Q	10000035077	1	Fitting, cap nut 1.0625-12
R	G076040	4	Screw, M5-0.80 x 16 pan Phillips
S	61222	4	Washer, #10 sealing
T	27413	1	Decal, auxiliary fuel inlet
U	G082025	4	Nut, M5-0.80 nylock
V	10000034683	1	Fitting, 1.0625 ML 37° flare - .750MNPT
W	10000034694	1	Fitting, .750-14FNPT x .750-14FNPT
X	51022	1.50 ft	Hose, fuel .500 ID 125PSI - outlet
Y	G051713	4	Washer, M5 flat

RECEPTACLE PANEL ASSEMBLY

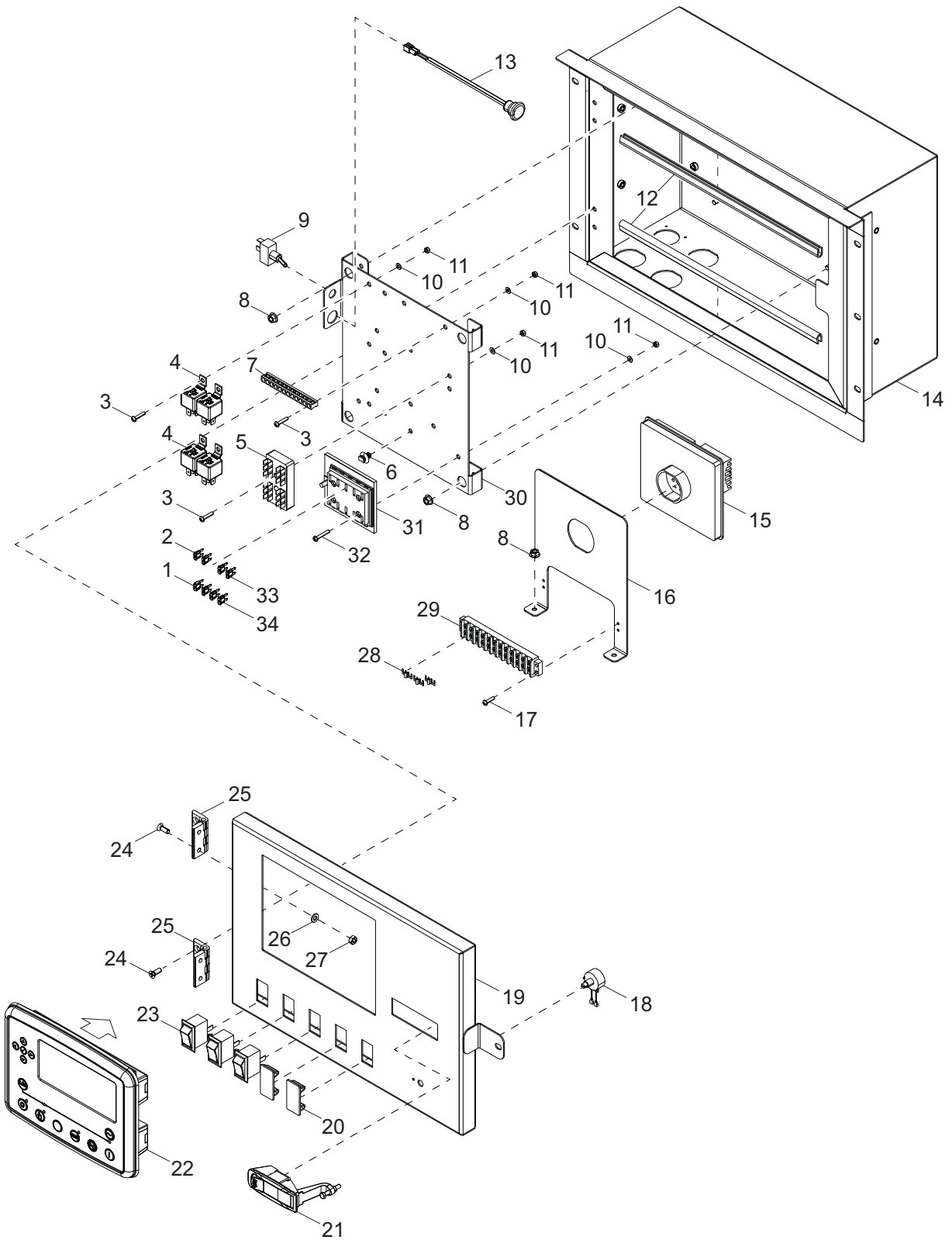


03446

RECEPTACLE PANEL ASSEMBLY

Item	Part No.	Qty	Description	Notes
1	14204	1	Kit, ground bar	
2	N/A	2	Screw, M4-0.7 x 20 PPHM	
3	G045757	2	Screw, M6-1.0 x 25 HHC, G8.8	
4	65356	1	Block terminal, 3-pole	
5	0C8563	6	Screw, M6-1.0 x 12 flanged hex, G8.8	
6	0E8388	8	Nut, M6-1.0 flanged hex	
7	65788	1	Strain relief, 2.00 " w/nut	
8	0E6480	2	Nut, M4-0.7 nylock	
9	G043180	2	Washer, M4 flat	
10	A0000513903	1	Enclosure, receptacles - AC	
11	A0000510821	1	Gasket, AC receptacle	
12	18091	2	Breaker, 20A, 240V, 1 pole	
13	14130	2	Receptacle, 120V/20A GFI	
14	G022188	16	Nut, #6-32 hex	
15	G022985	16	Washer, #6 flat	
16	18089	3	Receptacle, 240V/50A twist lock	
17	A0000342629	1	Mount, receptacles - AC	
18	G036902	15	Screw, #6-32 x .500 Pan Phillips	
19	G070007	10	Washer, M6 flat - SS	
20	0A3359	12	Screw, M6-1.00 x 16 button head hex - SS	
21	12632	1	Switch, trigger safety, N.O. and N.C.	
22	G082025	2	Nut, M5-0.8 nylock	
23	0E9493	2	Washer, M5 flat	
24	A0000748618	1	Flap, receptacle door - rubber	
25	A0000348518	1	Door, receptacles	
26	G076040	2	Screw, M5-0.8 x 16 pan Phillips	
27	G028430	1	Nut, #10-24 hex	
28	G023897	1	Washer, #10 flat	
29	62140	1	Washer, #10 cup 1.50/.03	
30	G034154	1	Screw, #10-24 x .500 pan head	
31	G022442	1	Screw, #6-32 x .375	
32	51725	1	Magnet, cup 1-15/16 diameter - 14# pull	
33	A0000467082	1	Plate, no battery charger	
34	A0000467083	1	Plate, no block heater	
35	0J1321	2	Washer, M6 flat - nylon	
36	G049813	2	Nut, M6-1.0 hex, G8	
37	60046	16	Screw, #6-32 x .750 pan Phillips, G2	
38	60058	16	Washer, #6 split lock	
39	39651	1	Light, controls	
40	18092	3	Breaker, 50A, 240V, 2 pole	
<i>Auxiliary Outlets (if equipped)</i>				
A	68635	1	Receptacle, 120V/30A inlets - flange	Replace Item #31
<i>Auxiliary Inlet (if equipped)</i>				
B	65285	1	Receptacle, 120V/15A inlets - flange	Replace Item #32

CONTROL BOX ASSEMBLY



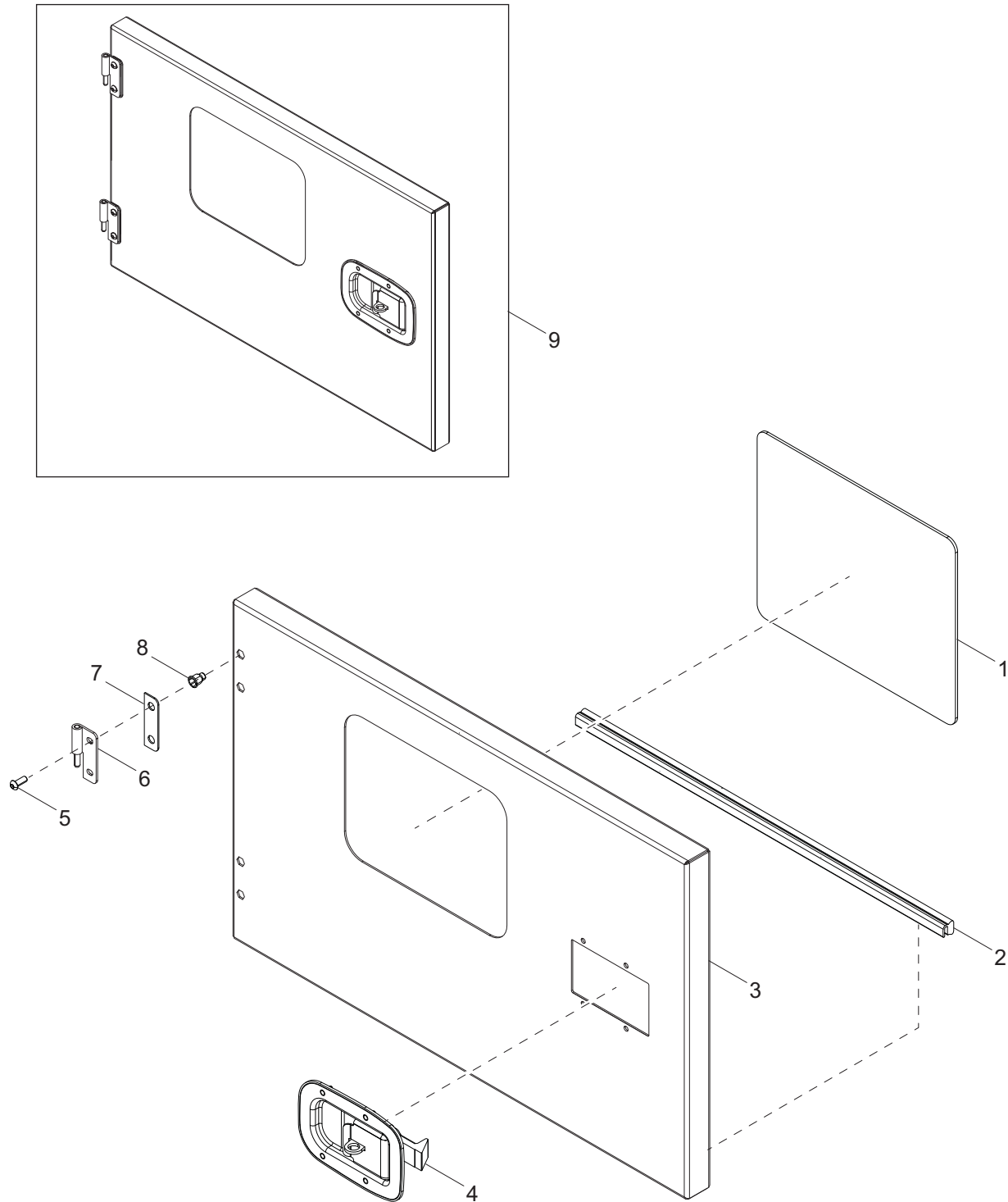
03190

CONTROL BOX ASSEMBLY

Item	Part No.	Qty	Description	Notes
1	68204	1	Fuse, 15A mini	
2	72152	1	Fuse, 30A mini	
3	N/A	8	Screw, M4-.70 x 20 - zinc	
4	68106	4	Relay, 12V 30/50A w/diode	
5	66992	1	Block, terminal 4x6 push-on	
6	66685	6	Mount, cable tie .25-28 diameter, .031 to .027 grip	
7	14204	1	Kit, ground bar	
8	0E8388	7	Nut, M6-1.0 hex flanged	
9	25077	1	Switch, toggle SPST 20A VAC	
10	G043180	10	Washer, M4 flat	
11	G051715	10	Nut, M4-0.7 hex, G8	
12	56326	2	Guard, edge 15.00 inch	
13	36964	1	Assembly, controls light	
14	A0000293510	1	Weldment, control box	
15	36364	1	Regulator, voltage - PM500	
16	A0000293520	1	Mount plate, voltage regulator - control box	
17	0C2212	4	Screw, M4-0.7 x 16 PPHT	
18	26229	1	Kit, voltage potentiometer - adjustable	
19	A0000560715	1	Weldment, control box cover	
20	34439	2	Plug, panel switch 1.91 x .96	
21	A0000316566	1	Latch, raised trigger 24mm/46mm grip	
22	Contact Us*	1	Controller DSE 7310 - programmed	
23	66995	3	Switch, rocker DPST on-off	
24	0J4525	8	Screw, M6-1.0 x 16 PFHM	
25	35394	2	Hinge, door - small	
26	G049811	8	Washer, M6 flat	
27	G049813	8	Nut, M6-1.0 hex, G8	
28	G046669	3	Jumper, block terminal	
29	G055911	1	Terminal block, 20A 12 x 6	
30	A0000293519	1	Plate, control box - mounting	
31	10000007847	1	Block, fuse 10 position- type mini	
32	G092980	2	Screw, M4-0.7 x 25 pan Phillips	
33	A0000472393	5	Fuse, 10A mini	
34	35560	1	Fuse, 20A mini	

Note: To order replacement controller, contact Generac Mobile Products with unit serial number

CONTROL DOOR ASSEMBLY

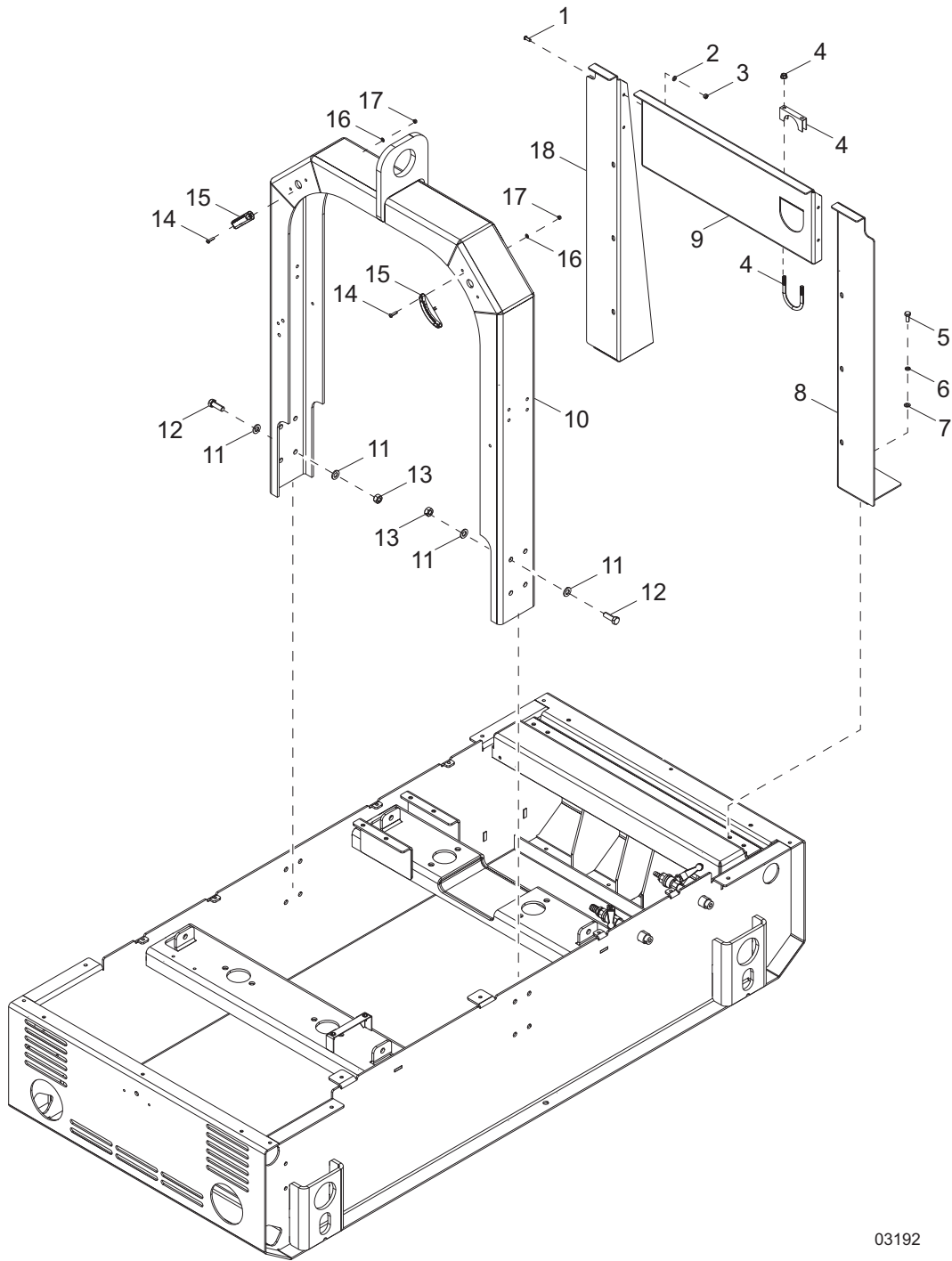


03191

CONTROL DOOR ASSEMBLY

Item	Part No.	Qty	Description	Notes
1	A0000373667	1	Window, control box door - UV	
2	0A9881	0.8 ft	Trim, vinyl seal	
3	A0000293485	1	Panel, control door	
4	10000040397	1	Latch, paddle - medium padlock	
5	0A3359	4	Screw, m6-1.0 x 16 button head - SS	
6	N/A	2	Hinge, slip male LH - short	
7	0C2654	2	Gasket, M6 hinge	
8	G092120	4	Nut, M6 x 1.0 lock	
9	A0000787195	1	Assembly, controls door	

LIFT STRUCTURE TO SKID ASSEMBLY

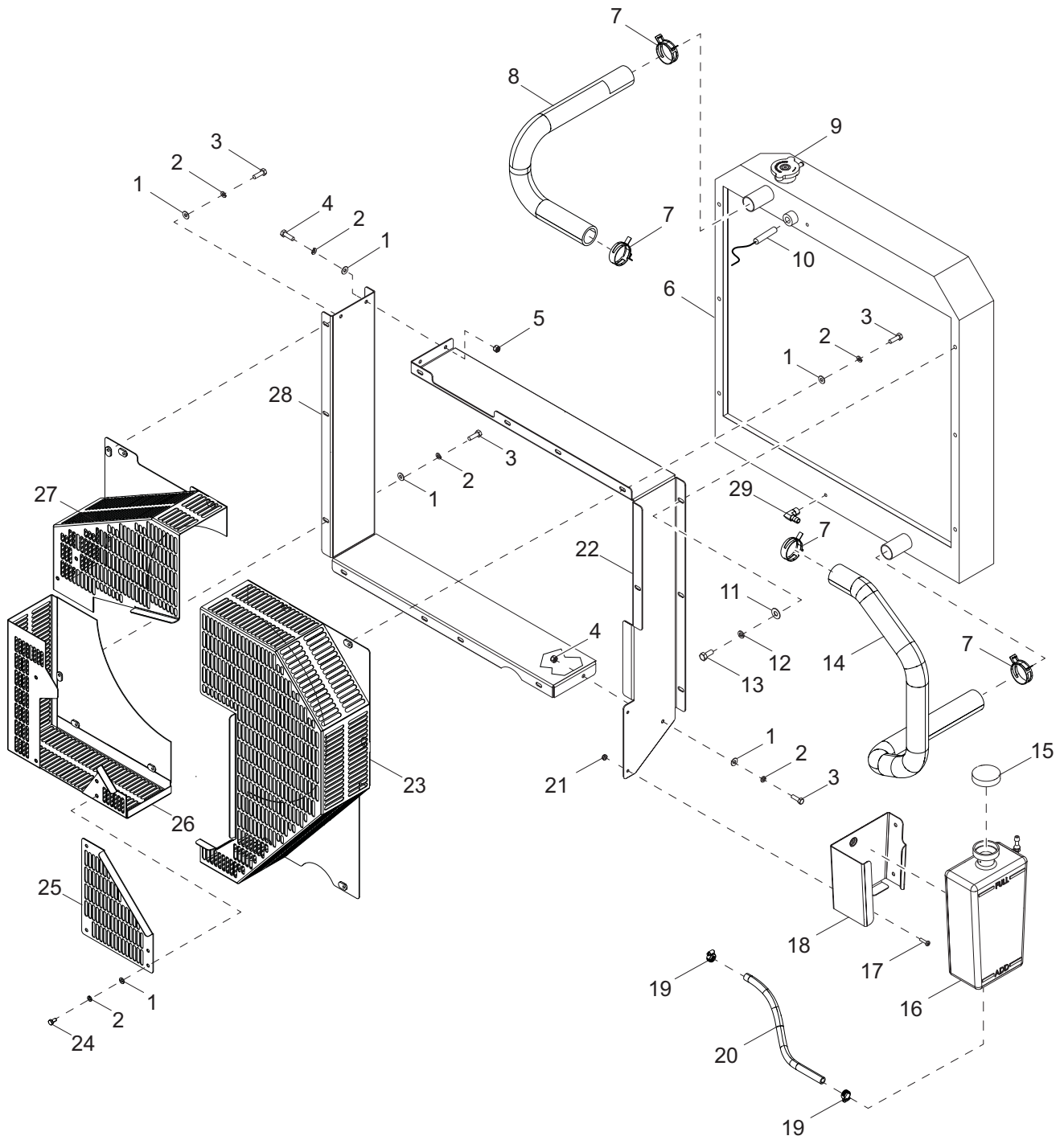


03192

LIFT STRUCTURE TO SKID ASSEMBLY

Item	Part No.	Qty	Description	Notes
1	0G0926	4	Screw, M6-1.00 x 16 flanged hex head	
2	G049811	4	Washer, M6 flat	
3	0B2236	4	Nut, M6-1.00 nylock	
4	18823	1	Clamp, muffler 2.00	
5	G039253	6	Screw, M8-1.25 x 20 hex, G8.8	
6	0D3919	6	Washer, M8 split lock	
7	G058653	6	Washer, M8 flat	
8	A0000331306	1	Panel, cooling system - RHS	
9	A0000334830	1	Panel, cooling system - center	
10	A0000262561	1	Weldment, lift structure	
11	G049808	16	Washer, M12 flat	
12	G053607	8	Screw, M12-1.75 x 35 hex, G8.8	
13	G045773	8	Nut, M12-1.75 hex, G8	
14	G075477	4	Screw, M5-0.80 x 20 pan Phillips	
15	10000018597	2	Assembly, cab lights	
16	G051713	4	Washer, M5 flat	
17	G082025	4	Nut, M5-0.8 nylock	
18	A0000331294	1	Panel, cooling system - LHS	

COOLING SYSTEM ASSEMBLY

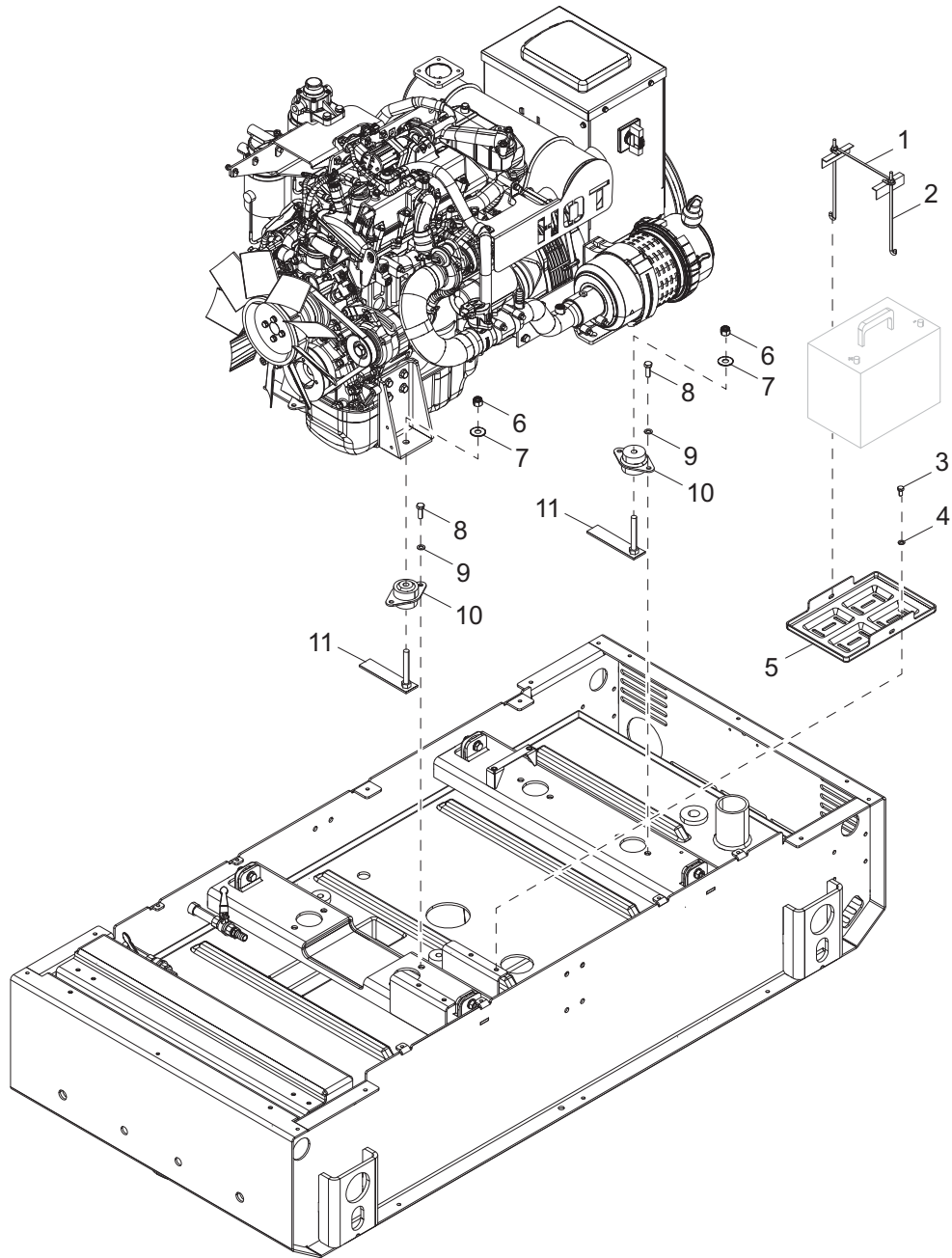


03193

COOLING SYSTEM ASSEMBLY

Item	Part No.	Qty	Description	Notes
1	G049811	20	Washer, M6 flat	
2	OJ7513	20	Washer, M6 split lock	
3	G047411	12	Screw, M6-1.0 x 16 HHC, G8.8	
4	N/A	4	Screw, M6-1.0 x 20 HHC, G8.8	
5	G049813	12	Nut, M6-1.0 hex, G8	
6	A0000479275	1	Radiator - wide	
7	63255	4	Clamp, hose spring type	
8	37126	1	Hose, upper radiator	
9	19219	1	Cap, radiator pressure 14.7 PSI - small	
10	A0001002549	1	Sensor, low coolant - wet sinking	
11	0D3052	6	Washer, 5/16 - SS	
12	60701	6	Washer, .312 split lock - SS	
13	60687	6	Screw, .312-18 x .750 standard hex - SS	
14	37127	1	Hose, lower radiator	
15	19714	1	Cap, overflow	
16	24952	1	Jug, overflow 2.5 quart	
17	G091526	2	Screw, M5-0.80 x 12 pan Phillips	
18	26211B	1	Bracket, overflow jug	
19	14216	2	Clamp, hose SAE 004 (.21-.62) miniature	
20	50018	1.5 ft	Hose, fuel .312ID 50PSI SAE 30R7	
21	G051716	2	Nut, M5-0.80 hex, G8	
22	10000029682	1	Shroud, fan RHS	
23	A0000474117	1	Weldment, fan guard RH	
24	G043116	4	Screw, M6-1.0 x 12 hex, G8.8	
25	A0000479384	1	Cover, no LHG	
26	A0000474118	1	Weldment, fan guard LH - lower	
27	A0000479299	1	Weldment, fan guard LH - upper	
28	10000029694	1	Shroud, fan LHS	
29	20645	1	Fitting, 90° .250NPT x .375 barb - brass	

ENGINE AND GENERATOR TO SKID ASSEMBLY

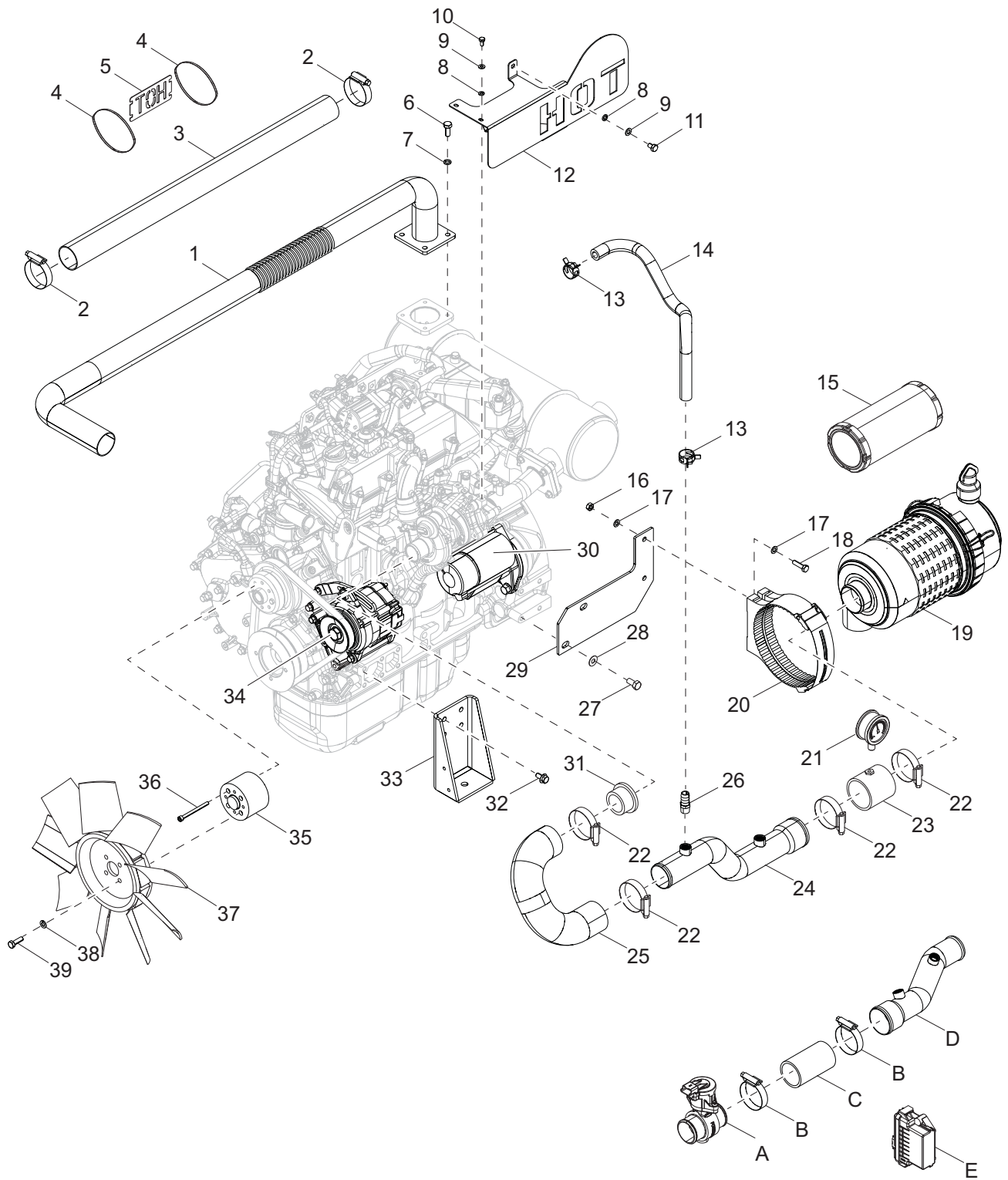


03194

ENGINE AND GENERATOR TO SKID ASSEMBLY

Item	Part No.	Qty	Description	Notes
1	14682	1	Bracket, battery hold-down	
2	60820	2	Bolt, J .250-20 x 9.00	
3	G042907	4	Screw, M8-1.25 x 16 hex, G8.8	
4	G058653	4	Washer, M8 flat	
5	14145	1	Tray, battery	
6	62221	4	Nut, .500-13 nylock, G5	
7	60416	4	Washer, .500 flat 1.375/.090 - SS	
8	G042911	8	Screw, M10-1.5 x 30 hex, G8.8	
9	G070264	8	Washer, M10 flat	
10	22788	4	Isolator, 470# - rubber	
11	27034	4	Weldment, anti-turn bolt .500-13 x 3.50	

ENGINE ASSEMBLY - LEFT SIDE



03195

ENGINE ASSEMBLY - LEFT SIDE

Item	Part No.	Qty	Description	Notes
1	A0000486995	1	Weldment, exhaust pipe	
2	60316	2	Clamp, hose SAE 032 (1.56-2.50)	
3	26478	1	Sleeve, high temp 2.00	
4	0K1526B	2	Wrap tie - SS	
5	0D3701B	1	Plate	
6	G039253	4	Screw, M8-1.25 x 20 hex, G8.8	
7	0D3919	4	Washer, M8 split lock	
8	0J7513	3	Washer, M6 lock	
9	G049811	3	Washer, M6 flat	
10	G043116	2	Screw, M6-1.0 x 12 hes, G8.8	
11	G051754	1	Screw, M8-1.25 x 12 hex, G8.8	
12	A0000341609	1	Guard, heat	
13	10000037182	2	Clamp, hose spring type 27ST	
14	50201	1	Hose, .625 Horizon 200 psi Class A	
15	35962	1	Element, air filter	
16	G045771	2	Nut, M8-1.25 hex, G8	
17	G058653	4	Washer, M8 flat	
18	G042909	2	Screw, M8-1.25 x 30 hex, G8.8	
19	35959	1	Filter, air	
20	37480	1	Bracket, air filter	
21	24518	1	Gauge, filter restriction	
22	60666	4	Clamp, hose constant torque 2.25-3.125	
23	37787	1	Hose, straight connect w/port	
24	A0000385009	1	Weldment, no PAS intake tube	
25	37065	1	Hose, air intake - engine inlet	
26	25931	1	Fitting, straight .375NPT x .625 barb	
27	G051756	2	Screw, M10-1.50 x 20 hex, G8.8	
28	G070264	2	Washer, M10 flat	
29	A0000334630	1	Bracket, air filter	
30	36662	1	Starter	
31	33782	1	Insert, hose reducer 1.50-2.00	
32	60018	10	Screw, M10-1.50 x 20 serrated flange hex	
33	A0000263786	2	Support, engine	
34	36661	1	Alternator	
35	37859	1	Spacer, fan	
36	G049967	4	Screw, M6-1.0 x 70 SHC, G12.9	
37	19258	1	Fan, 15.75 inch	
38	G022129	4	Washer, M8-5/16" split lock	
39	G030795	4	Screw, 5/16"-18 x 1.00 hex, G5	

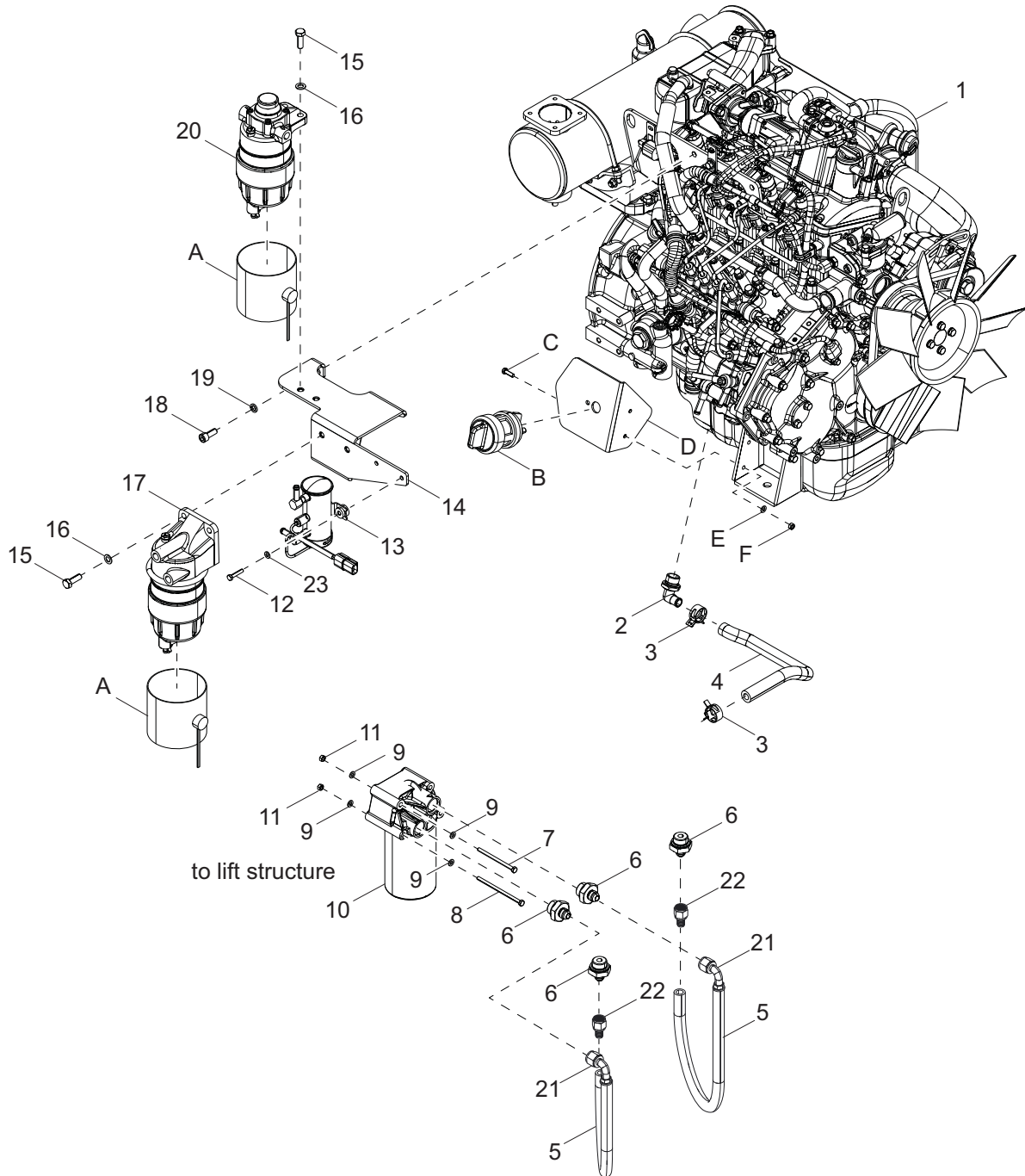
Positive Air Shutdown (if equipped):

A	A0000382573	1	Valve, PAS 2.00 diameter - 12V
B	60666	3	Clamp, hose SAE 032 (1.56-2.50)
C	28540	1	Hose, CAC 2.00 x 4.00
D	A0000382898	1	Weldment, PAS air intake - filter outlet
E	A0000634488	1	Module, PAS
--	A0000634489	1	Harness, PAS 12V

OVR Heater Group (if equipped):

--	A0000529238	1	Heater, OVR with blanket
--	A0000336625	1	Wire group, OVR heater - DC

ENGINE ASSEMBLY - RIGHT SIDE



03196

ENGINE ASSEMBLY - RIGHT SIDE

Item	Part No.	Qty	Description	Notes
1	A0000579555	1	Engine 4LE2TAGV08-S283	
2	10000034840	1	Adapter, oil pan drain elbow	
3	10000037182	2	Clamp, hose - spring type_ CTB - 27ST	
4	50201	1.5 ft	Hose, .625 Horizon 200PSI class A	
5	50730	2.0 ft	Hose, .500 ID push-lock	
6	69611	4	Fitting, straight JIC O-ring .75-14BSPP	
7	67897	1	Screw, M8-1.25 x 90 hex, G8.8	
8	G087712	1	Screw, M8-1.25 x 110 hex, G8.8	
9	G049811	4	Washer, M6 flat	
10	36906	1	Filter, oil	
11	G049820	2	Nut, M8-1.25 nylock	
12	0G6131	2	Screw, M6-1.00 x 30 hex, G8.8	
13	33764	1	Pump, fuel	
14	A0000447533	1	Bracket, fuel filter mount	
15	G059981	2	Screw, M10-1.50 x 30 hex, G10.9	
16	G070264	4	Washer, M10 flat	
17	33762	1	Filter, fuel - primary	
18	0E3495	2	Screw, M10-1.25 x 25 SHC, G12.9	
19	G074008	2	Washer, M10 split lock	
20	33763	1	Filter, fuel - final	
21	62205	2	Fitting, 90° .750-16JIC x #8 push-lock	
22	62203	2	Fitting, straight .750-16 JIC x #8 push-lock	
23	G049811	2	Washer, M6 flat	

Fuel Filter Heater (if equipped):

A	10000042773	1	Heater, fuel filter 12V 50W
--	A0000336624	1	Wire group, DC fuel heaters

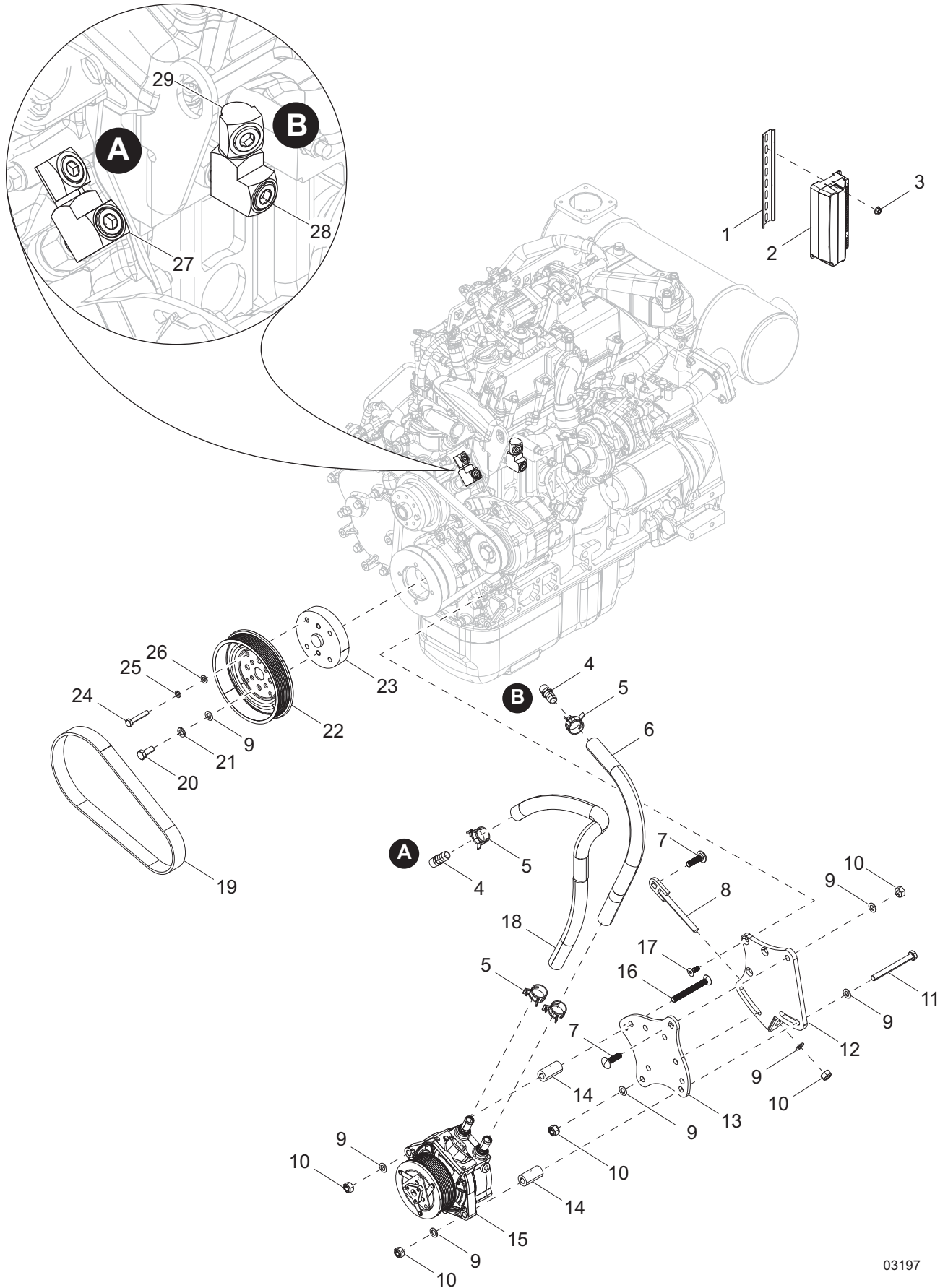
Battery Disconnect (if equipped):

B	MAC3907	1	Switch, battery disconnect - padlock
C	G042568	2	Screw, M6-1.0 x 20 hex, G8.8
D	A0000948746	1	Bracket, battery disconnect
E	G049811	2	Washer, M6 flat
F	G049813	2	Nut, M6-1.0 hex, G8
--	A0000336620	1	Wire group, battery disconnect cables

Oil Pan Heater (if equipped):

--	10000041756	1	Heater, oil 120V 2.1A
--	50021	3.1 ft	Loom wire, .375 corrugated
--	65004	3	Terminal, spade male .250
--	A0000336629	1	Wire group, AC heaters - pigtail
--	A0000336630	1	Wire group, 16-3 converted

SUPPLEMENTARY LOAD ACCESSORY (IF EQUIPPED)

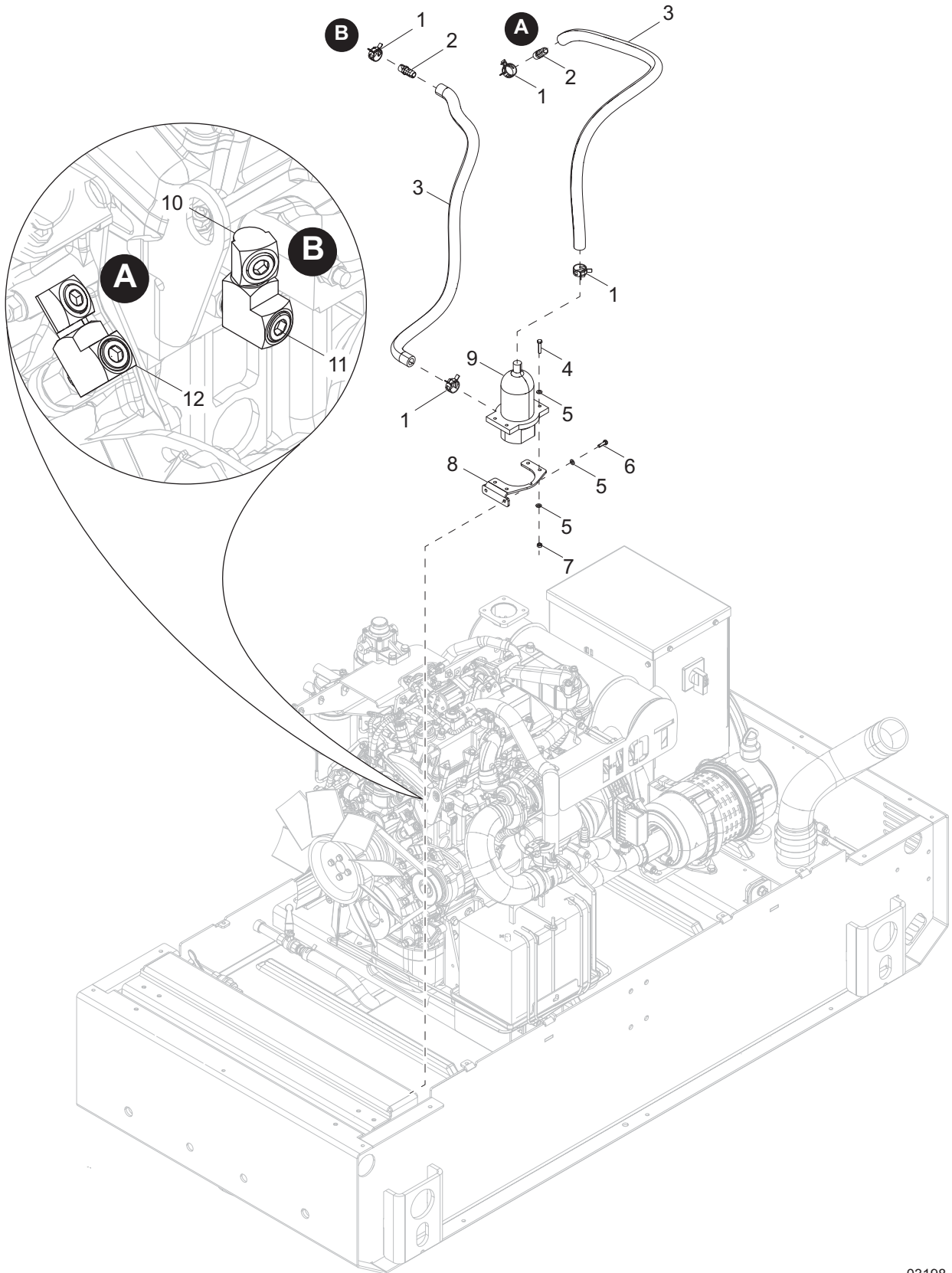


03197

SUPPLEMENTARY LOAD ACCESSORY (IF EQUIPPED)

Item	Part No.	Qty	Description	Notes
1	67129	1	Rail, DIN 35MM x 8.00	
2	67066	1	Module, output expansion	
3	0E8388	2	Nut, M6-1.0 flanged hex	
4	25931	2	Fitting, straight .375NPT x .625 barb	
5	10000037182	4	Clamp, hose spring type	
6	50201	1.75 ft	Hose, .625 Horizon 200PSI - class A	
7	A0000566381	2	Screw, M10-1.5 x 35 carriage	
8	A0000566262	1	Weldment, screw	
9	G070264	8	Washer, M10 flat	
10	A0000566363	6	Nut, M10-1.5 nylock	
11	G057644	1	Screw, M10-1.5 x 100 hex, G8.8	
12	A0000561123	1	Weldment, bracket	
13	A0000561007	1	Plate, mounting	
14	A0000561003	2	Spacer	
15	10000032490	2	Ventech LHG	
16	A0000566382	1	Screw, M10-1.5 x 90 smooth face hex - full	
17	A0000566383	3	Screw, M8-1.25 x 20 smooth face hex - full	
18	50201	2.25 ft	Hose, .625 Horizon 200PSI - class A	
19	A0000562836	1	Belt, 4LE2T	
20	G049814	2	Screw, M10-1.5 x 25 hex, G8.8	
21	G046526	2	Washer, M10 split lock	
22	A0000468292	1	Pulley, crankshaft 4LE2T	
23	A0000560978	1	Spacer	
24	G039287	4	Screw, M8-1.25 x 45 he, G8.8	
25	0D3919	4	Washer, M8 split lock	
26	G058653	4	Washer, M8 flat	
27	22602	2	Fitting, tee .375MNPT x FNPT - brass	
28	10000027081	4	Plug, .375-18 NPT hex socket	
29	15396	2	Fitting, 90° street .375MNPT x .375FNPT - brass	
--	HW4046B17	2	Fitting, adapter .375MNPT x .375FNPT	
--	A0000859671	1	Assembly, supplementary load accessory	

HOT START ASSEMBLY (IF EQUIPPED)

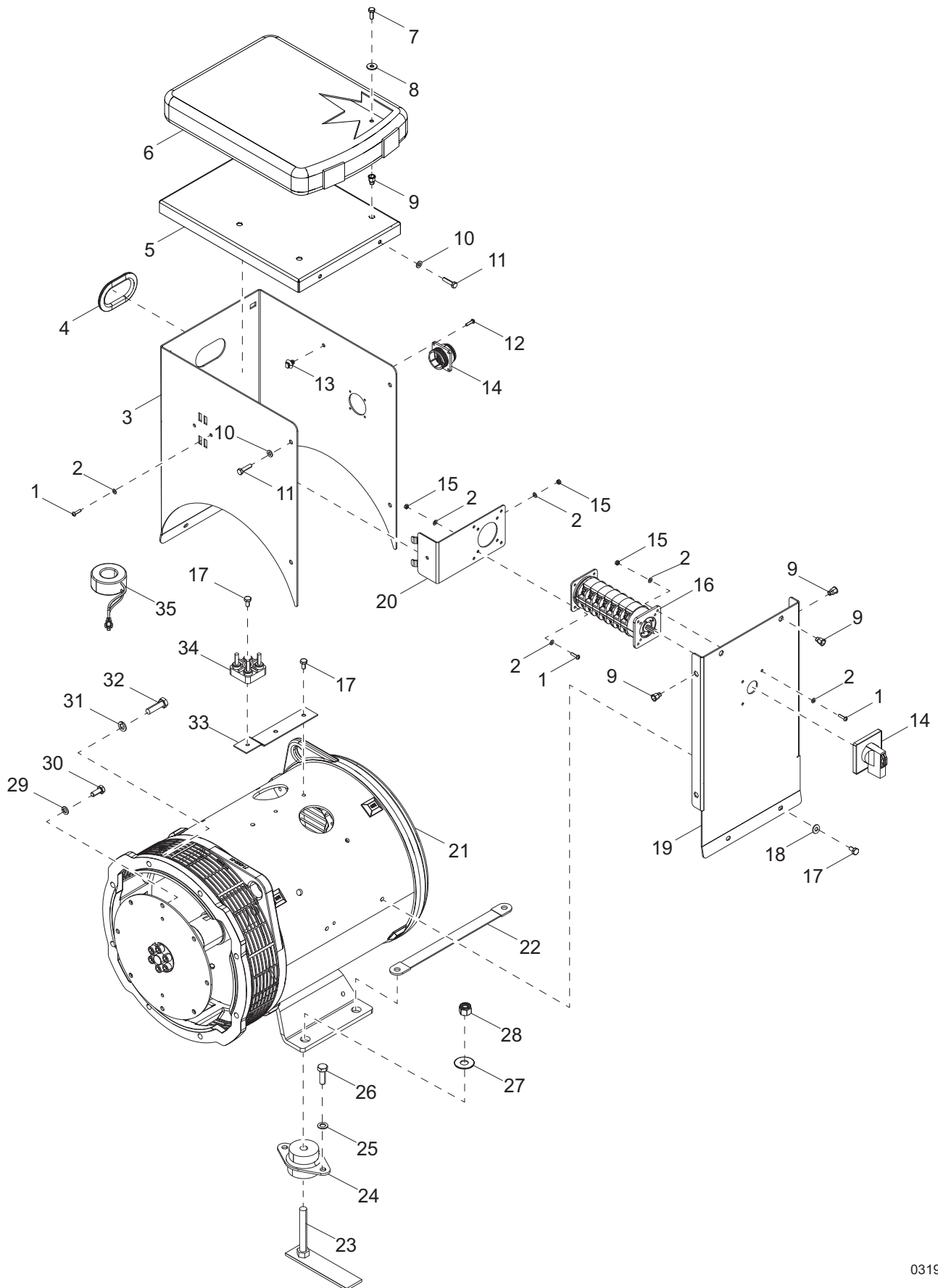


03198

HOT START ASSEMBLY (IF EQUIPPED)

Item	Part No.	Qty	Description	Notes
1	10000037182	4	Clamp, hose - spring type	
2	25931	2	Fitting, straight .375NPT x .625 barb	
3	50201	3.5 ft	Hose, .625 horizon 200psi class A - return and feed	
4	0G6131	4	Screw, M6-1.0 x 30 HHC. G8.8	
5	G049811	12	Washer, M6 flat	
6	042568	2	Screw, M6-1.0 x 20 hex, G8.8	
7	0A1703	6	Nut, M6-1.0 nylock	
8	A0000350115	1	Mount, heater	
9	25914	1	Heater, coolant 150CI or less - 120V, 500W	
10	15396	2	Fitting, 90° street .375MNPT x .375FNPT - brass	
11	10000027081	4	Plug, .375-18 NPT hex socket	
12	22602	2	Fitting, tee .375MNPT x FNPT - brass	
--	HW4046B17	2	Fitting, adapter .375MNPT x .375FNPT	
--	A0000859678	1	Assembly, hot start	

GENERATOR ASSEMBLY

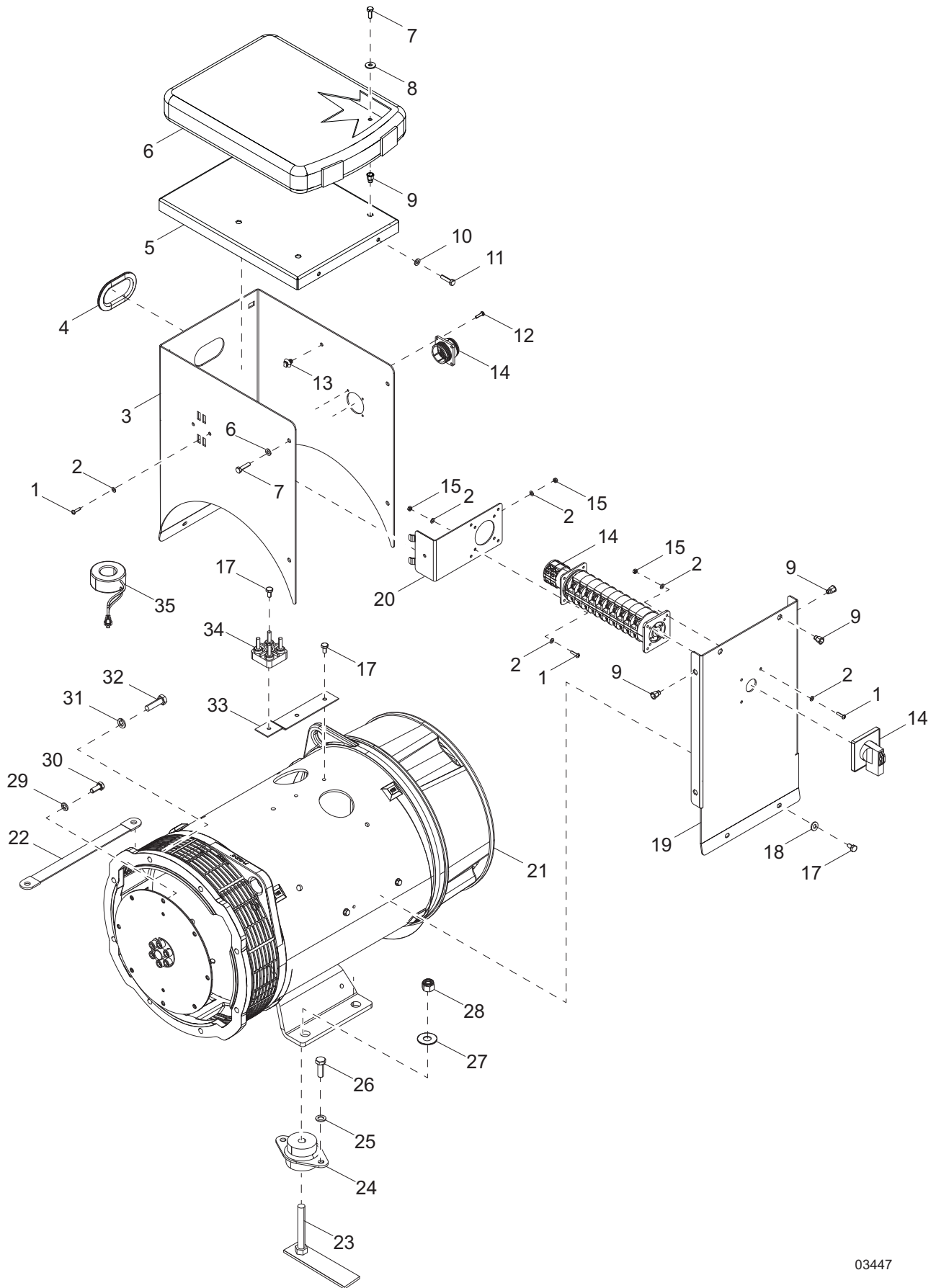


03199

GENERATOR ASSEMBLY

Item	Part No.	Qty	Description	Notes
1	G075476	9	Screw, M4-0.7 x 16 PPHM	
2	G043180	18	Washer, M4 flat	
3	A0000288635	1	Panel, generator side - RH	
4	19351	1	Seal, u-channel	
5	A0000288623	1	Panel, generator top	
6	24540	1	Holder, manual	
7	G047411	4	Screw, M6-1.0 x 16 hex, G8.8	
8	0H7899	4	Washer, 6.6MM x 18MM OD flat	
9	G092120	10	Nut, M6 x 1.0 lock	
10	G049811	6	Washer, M6 flat	
11	G045757	6	Screw, M6-1.0 x 1.0 hex, G8.8	
12	0C2212	4	Screw, M4-0.7 x 16 PPHT	
13	66685	1	Mount, cable tie .25-28 diameter .031-.27 grip	
14	A0000502744	1	Connector, receptacle 24 position	
15	G051715	8	Nut, M4-0.7 hex, G8	
16	37426	1	Switch, 3 position phase 63A	
17	G022507	5	Screw, .250-20 x .500 hex, G5	
18	G022473	4	Washer, .250-M6 flat	
19	A0000288638	1	Panel, generator side - LH	
20	A0000288597	1	Bracket, phase switch	
21	10000018528	1	Generator, Marathon 282PSL1705 - SAE5/7.5	
22	22438	1	Strap, braided ground 16.00 .500 hole	
23	27034	2	Weldment, .500 x 3.50 anti-turn bolt	
24	22788	2	Isolator, 470 # _ rubber	
25	G070264	4	Washer, M10 flat	
26	G042911	4	Screw, M10-1.5 x 30 hex, G8.8	
27	60416	2	Washer, .500 flat 1.375/.090 - SS	
28	62221	2	Nut, .500-13 nylock, G5	
29	60029	8	Washer, M8 split lock	
30	G055173	8	Screw, M8-1.25 x 20 hex, G10.9	
31	G046526	8	Washer, M10 split lock	
32	60055	8	Screw, M10-1.50 x 35 standard hex, G10.9	
33	28628B	1	Plate, terminal block mount	
34	65519	1	Block terminal, 4 pole - stud type	
35	OJ0481	4	Transformer, current	
--	A0001531040	1	PMG Group	
--	24576	1	Kit, stator/rotor/CVRS	
--	65308	1	Capacitor, 7.5 uF, 370 VAC	for PMG kit

SUPER START GENERATOR ASSEMBLY (IF EQUIPPED)

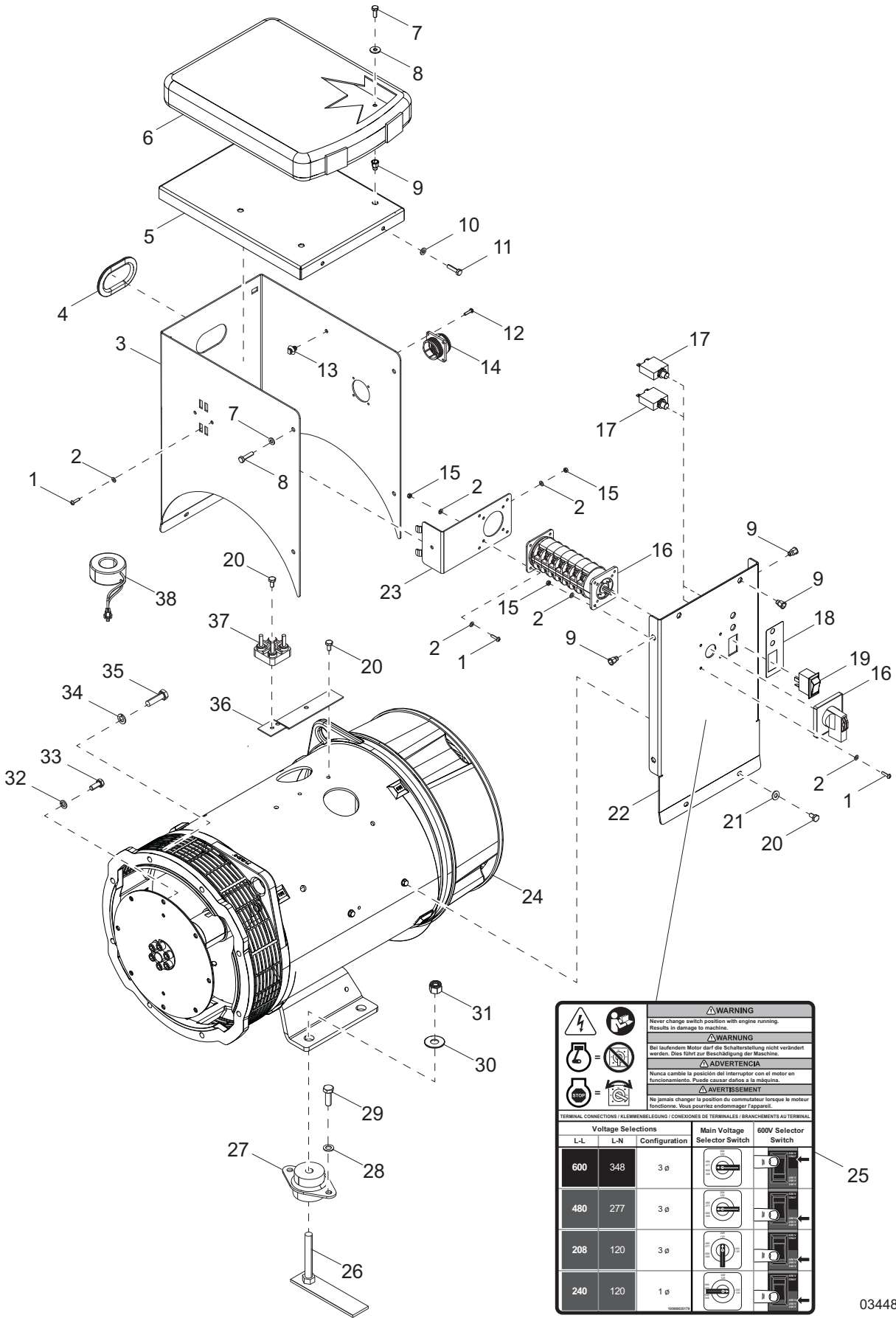


03447

SUPER START GENERATOR ASSEMBLY (IF EQUIPPED)

Item	Part No.	Qty	Description	Notes
1	G075476	9	Screw, M4-0.7 x 16 PPHM	
2	G043180	18	Washer, M4 flat	
3	A0000288635	1	Panel, generator side - RH	
4	19351	1	Seal, u-channel	
5	A0000288623	1	Panel, generator top	
6	24540	1	Holder, manual	
7	G047411	4	Screw, M6-1.0 x 16 hex, G8.8	
8	0H7899	4	Washer, 6.6MM x 18MM OD flat	
9	G092120	10	Nut, M6 x 1.0 lock	
10	G049811	10	Washer, M6 flat	
11	G045757	6	Screw, M6-1.0 x 1.0 hex, G8.8	
12	0C2212	6	Screw, M4-0.7 x 16 PPHT	
13	66685	4	Mount, cable tie .25-28 diameter .031-.27 grip	
14	A0000502744	1	Connector, receptacle 24 position	
15	G051715	1	Nut, M4-0.7 hex, G8	
16	37427	8	Switch, 4 position phase 63A	
17	G022507	5	Screw, .250-20 x .500 hex, G5	
18	G022473	4	Washer, .250-M6 flat	
19	A0000288638	1	Panel, generator side - LH	
20	A0000288597	1	Bracket, phase switch	
21	10000046866	1	Generator, Marathon 283PSL1707 - SAE 5/7.5	
22	22438	1	Strap, braided ground 16.00 .500 hole	
23	27034	2	Weldment, .500 x 3.50 anti-turn bolt	
24	22788	2	Isolator, 470 # _ rubber	
25	G070264	4	Washer, M10 flat	
26	G042911	4	Screw, M10-1.5 x 30 hex, G8.8	
27	60416	2	Washer, .500 flat 1.375/.090 - SS	
28	62221	2	Nut, .500-13 nylock, G5	
29	60029	8	Washer, M8 split lock	
30	G055173	8	Screw, M8-1.25 x 20 hex, G10.9	
31	G046526	8	Washer, M10 split lock	
32	60055	8	Screw, M10-1.50 x 35 standard hex, G10.9	
33	28628B	1	Plate, terminal block mount	
34	65519	1	Block terminal, 4 pole - stud type	
35	0J0481	4	Transformer, current	

V-FLEX GENERATOR ASSEMBLY (IF EQUIPPED)

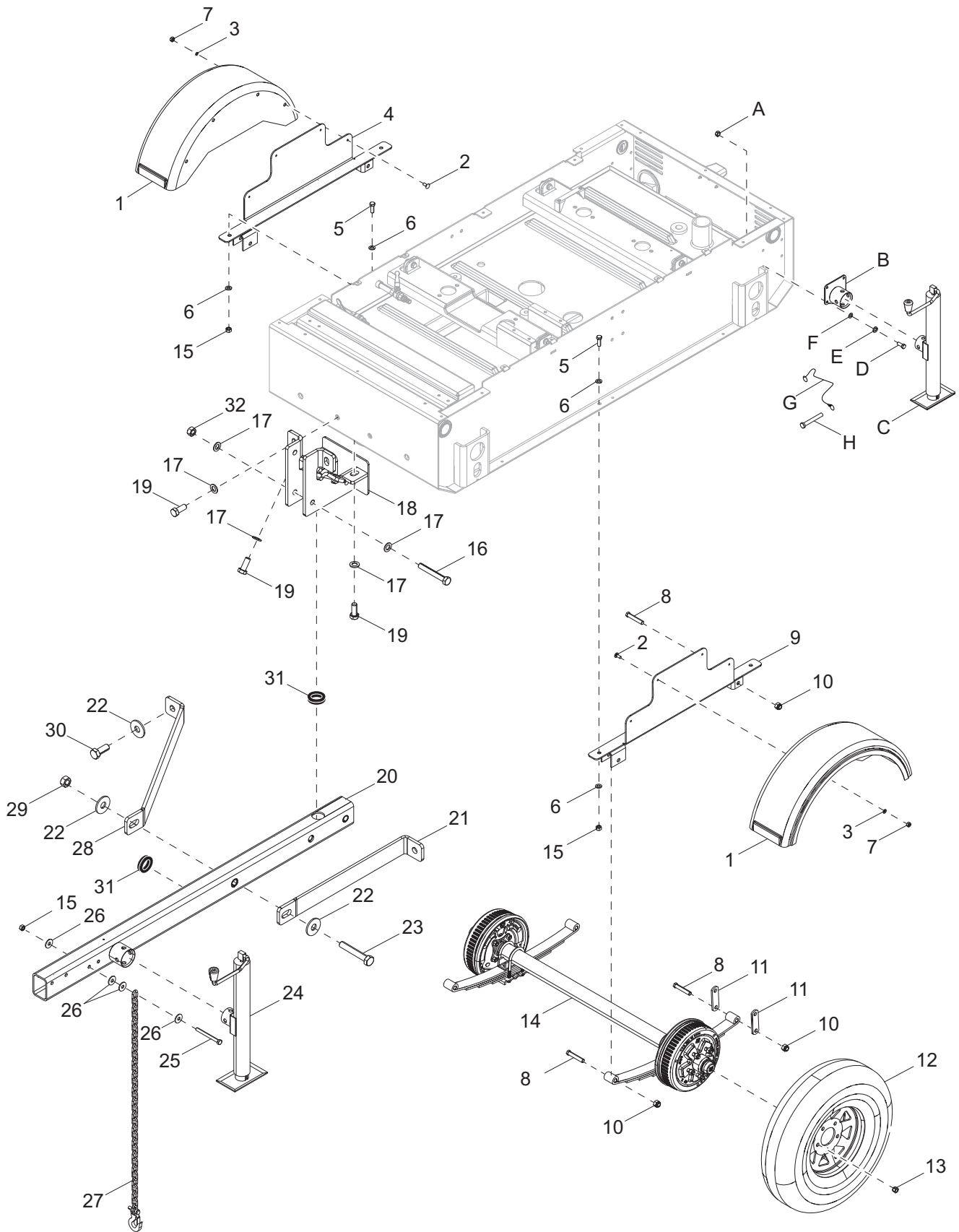


03448

V-FLEX GENERATOR ASSEMBLY (IF EQUIPPED)

Item	Part No.	Qty	Description	Notes
1	G075476	9	Screw, M4-0.7 x 16 PPHM	
2	G043180	18	Washer, M4 flat	
3	A0000288635	1	Panel, generator side - RH	
4	19351	1	Seal, u-channel	
5	A0000288623	1	Panel, generator top	
6	24540	1	Holder, manual	
7	G047411	4	Screw, M6-1.0 x 16 hex, G8.8	
8	0H7899	4	Washer, 6.6MM x 18MM OD flat	
9	G092120	9	Nut, M6 x 1.0 lock tric	
10	G049811	6	Washer, M6 flat	
11	G045757	6	Screw, M6-1.0 x 1.0 hex, G8.8	
12	0C2212	4	Screw, M4-0.7 x 16 PPHT	
13	66685	1	Mount, cable tie .25-28 diameter .031-.27 grip	
14	A0000502744	1	Connector, receptacle 24 position	
15	G051715	8	Nut, M4-0.7 hex, G8	
16	37426	1	Switch, 3 position phase 63A	
17	10000047762	2	Breaker, 40A 120V 1 pole - push button	
18	10000032551	1	Decal, voltage selector switch - breaker reset	
19	66995	1	Switch, rocker DPST on-off	
20	G022507	5	Screw, .250-20 x .500 hex, G5	
21	G022473	4	Washer, .250-M6 flat	
22	A0000288684	1	Panel, generator side - LH	
23	A0000288597	1	Bracket, phase switch	
24	10000024273	1	Generator, Marathon 283PSL28106 - SAE5-7.5	
25	10000035179	1	Decal, voltage selector switch w/600V rocker	
26	27034	2	Weldment, .500 x 3.50 anti-turn bolt	
27	22788	2	Isolator, 470 # _ rubber	
28	G070264	4	Washer, M10 flat	
29	G042911	4	Screw, M10-1.5 x 30 hex, G8.8	
30	60416	2	Washer, .500 flat 1.375/.090 - SS	
31	62221	2	Nut, .500-13 nylock, G5	
32	60029	8	Washer, M8 split lock	
33	G055173	8	Screw, M8-1.25 x 20 hex, G10.9	
34	G046526	8	Washer, M10 split lock	
35	60055	8	Screw, M10-1.50 x 35 standard hex, G10.9	
36	28628B	1	Plate, terminal block mount	
37	65519	1	Block terminal, 4 pole - stud type	
38	OJ0481	3	Transformer, current	

TRAILER ASSEMBLY

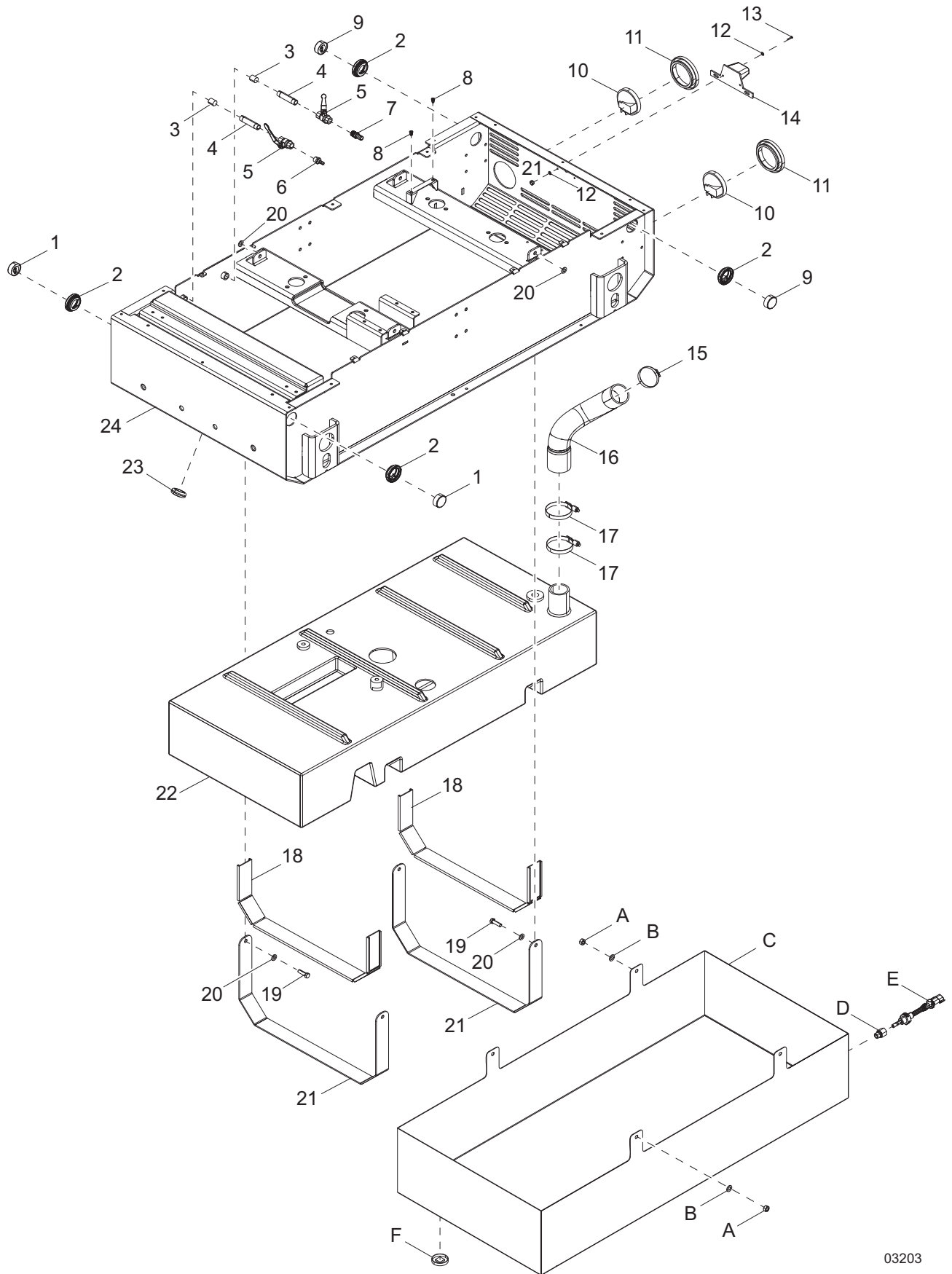


03449

TRAILER ASSEMBLY

Item	Part No.	Qty	Description	Notes
1	16560	2	Fender, plastic shell	
2	60709	8	Screw, .375-16 x 1.00 carriage - SS	
3	60386	8	Washer, .375 flat	
4	A0000263823	1	Weldment, fender mount - RHS	
5	G053607	4	Screw, M12-1.75 x 35 hex, G8.8	
6	G049808	8	Washer, M12 flat	
7	60792	8	Nut, .375-16 nylock - SS	
8	60503	6	Screw, .562-18 x 3.00 hex, G5 - shackle	
9	A0000263824	1	Weldment, fender mount - LHS	
10	60504	6	Nut, .562-18 L Hex, G5	
11	19637	4	Plate, shackle bracket 3.125	
12	10000027696	2	Wheel, ST185/80OD13D five spoke- black	
13	60096	10	Nut, .500-20 , G5 lug	
14	10000016434	1	Axle, 3100 lb	
15	0D7119	6	Nut, M12-1.75 nylock	
16	A0000276839	2	Screw, M20-2.50 x 140 hex, G10.9	
17	A0000276703	10	Washer, M20 flat	
18	A0000276183	1	Weldment, tongue support	
19	A0000276744	6	Screw, M20-2.50 x 50 hex, G10.9	
20	A0000266405	1	Weldment, trailer tongue	
21	A0000268126	1	Support, trailer tongue - LH	
22	A0000276241	6	Washer, M24 flat	
23	A0000276662	1	Screw, M24-3.00 x 150 hex, G10.9	
24	13051	1	Assembly, jack 2000# top wind - tube mount	
25	0K4243	2	Screw, M12-1.75 x 120 hex, G8.8	
26	G052259	8	Washer, M12 flat	
27	23367	2	Chain, safety 7,800# rated	
28	A0000268127	1	Support, trailer tongue	
29	A0000276249	1	Nut, M24-3.0 hex, G10	
30	A0000276642	2	Screw, M24-3.0 x 60 hex, G10.9	
31	A0000473829	2	Grommet 1.95 x .188 x 1.625	
32	A0000276701	2	Nut, M20-2.5 hex, G10	
 <i>Rear Stabilizer Jacks (if equipped):</i>				
A	G039253	8	Nut, M8 hex	
B	10000021596	2	Weldment, stabilizer jack mount	
C	A0001531038	2	Jack, side wind 2000 lb	
D	G039253	8	Screw, M8-1.25 x 20 hex, G8.8	
E	0D3919	8	Washer, M8 split lock	
F	G058653	8	Washer, M8 flat	
G	12647	2	Cable, tether	
H	23256	2	Pin, jack 2000lb	
--	A0000382070	2	Jack, rear stabilizer option	items A-H
 <i>Electric Brakes (if equipped):</i>				
--	A0000384184	1	Axle, electric leaf 3500 lbs - 33.00	
--	19417	1	Breakaway kit	
--	A0000336612	1	Harness, wiring electric brakes	
--	33900	1	Adapter, trailer 4 pin and 2 pin electric to 7 spade	
--	10000027696	2	Wheel, ST185/80OD13D five spoke- black	

TANK AND SKID ASSEMBLY



03203

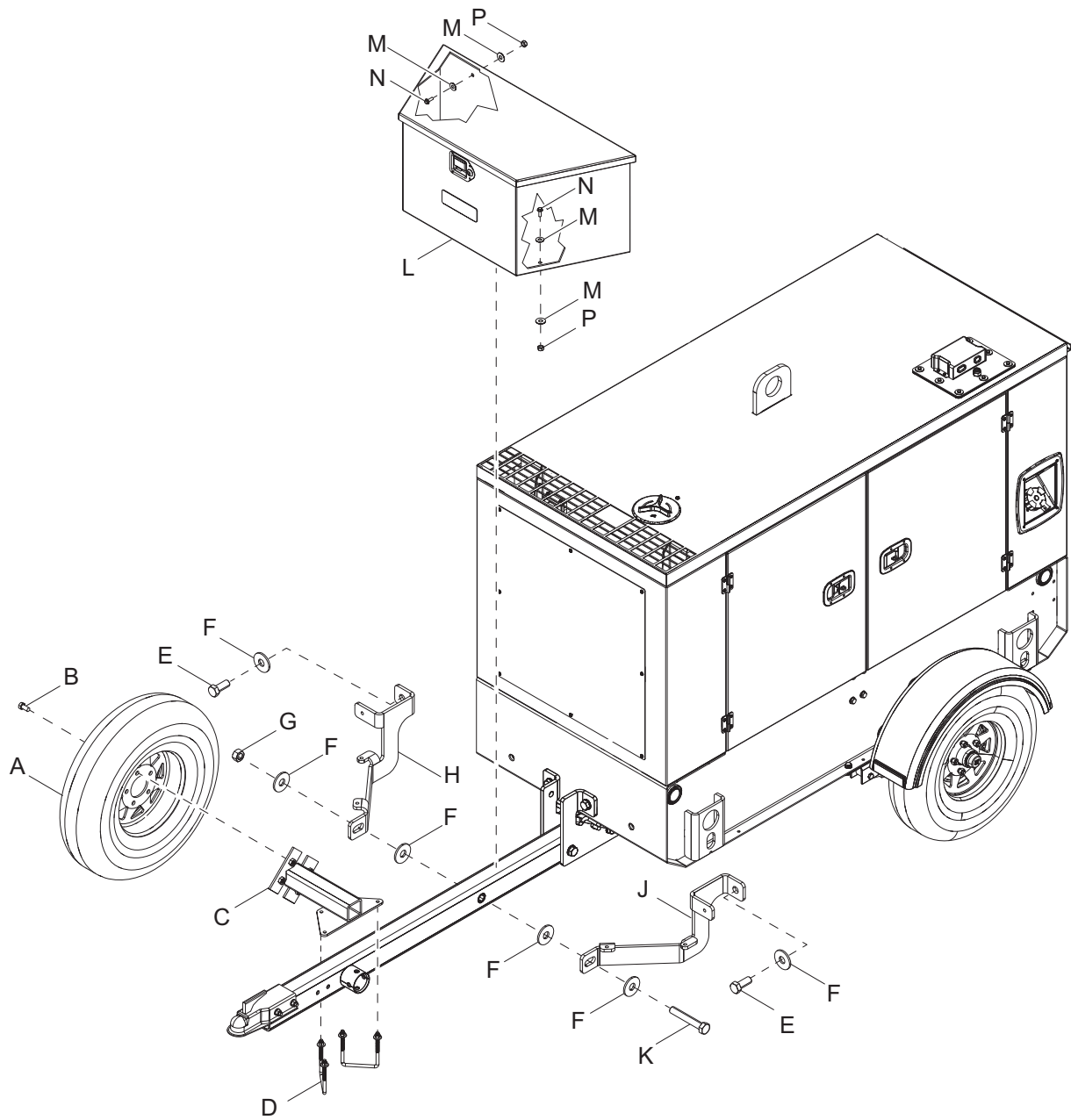
TANK AND SKID ASSEMBLY

Item	Part No.	Qty	Description	Notes
1	66702	2	Light, utility 2.00 inch LED - amber	
2	66394	4	Grommet, sealed beam light - rubber	
3	G049651	2	Plug, standard pipe .500 hex socket head	
4	G031096	2	Fitting, nipple .500NPT x 3.50	
5	099305A	2	Valve, ball .500FNPT	
6	23816	1	Fitting, straight .500 MNPT x .375 barb- brass	
7	60502	1	Fitting, straight .500 MNPT x .625 barb- brass	
8	G092120	2	Nut, M6 x 1.0 nylock	
9	66703	2	Light, clearance 2.00 inch LED - red	
10	66701	2	Light, stop/tail/turn 4.00 round - LED	
11	10221	2	Grommet, rear light 4.50 inch - rubber	
12	G043180	4	Washer, M4 flat	
13	N/A	2	Screw, M4 -.7 x 20 Phillips pan head	
14	10223SRV	1	Assembly, plate light/holder	
15	19336	1	Clamp, hose SAE 044 (2.31-3.25)	
16	A0000373194	1	Hose, fuel fill	
17	18663	2	Clamp, hose SAE 060 (3.31-4.25)	
18	A0000303177	2	Strap, fuel tank - rubber	
19	G053557	4	Screw, M12-1.75 x 40 hex, G8.8	
20	G049808	8	Washer, M12 flat	
21	A0000295809	2	Weldment, fuel tank strap	
22	A0000262589	1	Tank, fuel 28 hour	
23	A0000473829	2	Grommet, 1.95 x .188 x 1.625	
24	A0000263746	1	Weldment, skid	
25	G051715	2	Nut, M10-0.70 hex, G8.	
--	A0000336632	1	Harness, trailer lights	

Fuel Tank Containment (if equipped):

A	G045773	4	Nut, M12-1.75 hex, G8.8
B	G049808	4	Washer, M12 flat
C	A0000376377	1	Weldment, pan, containment
D	A0001280909	1	Fitting, adapter .500NPT male to female
E	A0001036938	1	Switch, fluid level .500-14 NPTF
F	A0000376385	1	Plug, 2.00 inch clean out

TRAILER OPTIONS

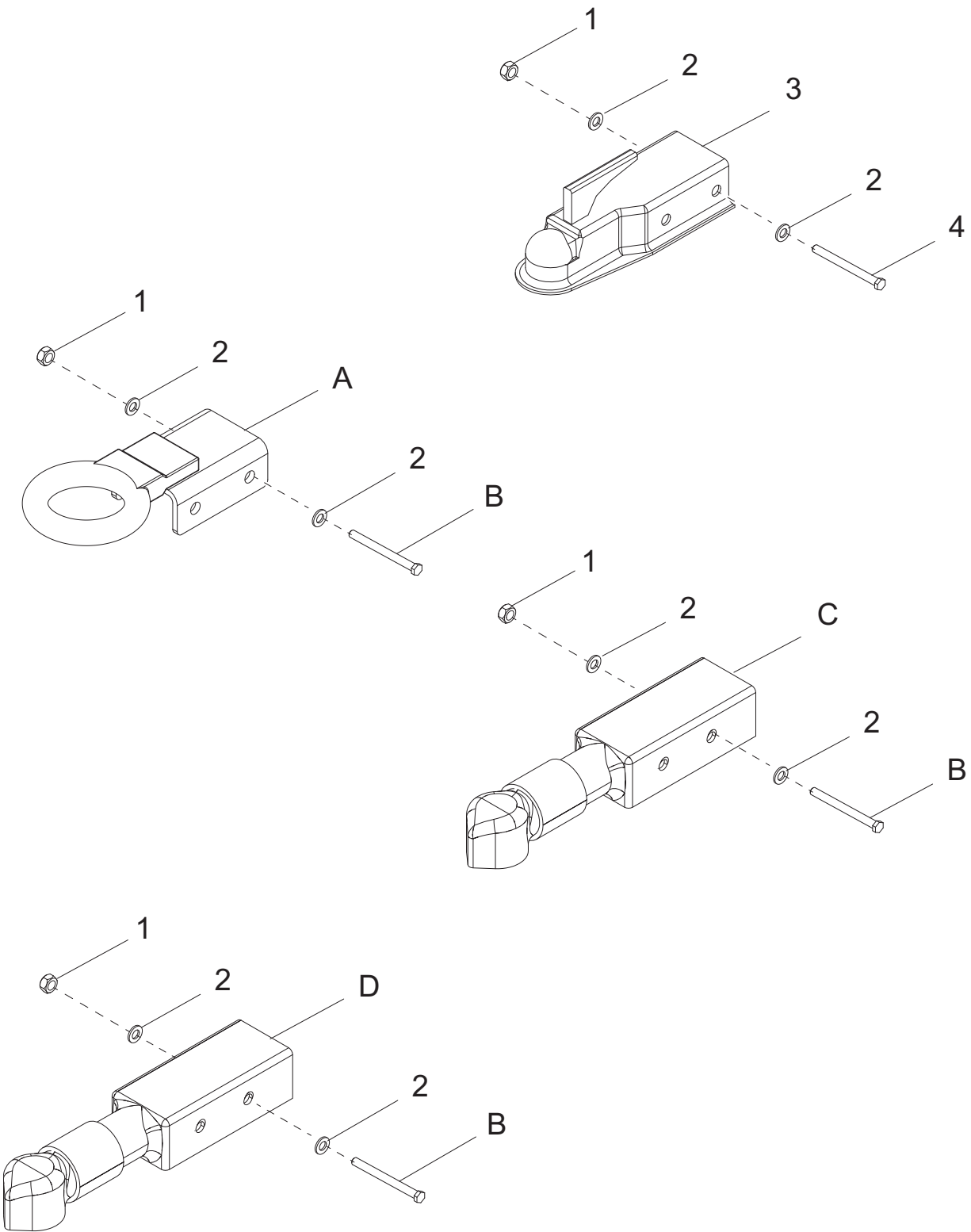


03204

TRAILER OPTIONS

Item	Part No.	Qty	Description	Notes
<i>Spare Tire (if equipped):</i>				
A	10000027696	1	Wheel, ST185/80D13	
B	61190	2	Screw, .500-13 x 1.00 standard hex - SS	
C	10000026597	1	Weldment, spare tire holder	
D	10000026323	2	Bolt, U .375-16 x 4.00 x 5.00 square	
<i>Aluminum Tool Box (if equipped):</i>				
E	A0000276642	2	Screw, M24-3.0 x 60 HHC, G10.9	
F	A0000276241	6	Washer, M24 flat	
G	A0000276249	1	Nut, M24-3.0 hex, G10	
H	A0000390064	1	Support, trailer tongue - RH accessory	
J	A0000390060	1	Support, trailer tongue - LH accessory	
K	A0000276662	1	Screw, M24-3.0 x 150 HHC, G10.9	
L	10000025915	1	Toolbox, aluminum	
M	G042909	4	Screw, M8-1.25 x 30 HHC, G8.8	
N	G058653	8	Washer, M8 flat	
P	G045771	4	Nut, M8-1.25 hex, G8	

TRAILER HITCH OPTIONS

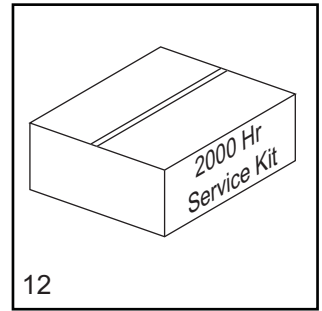
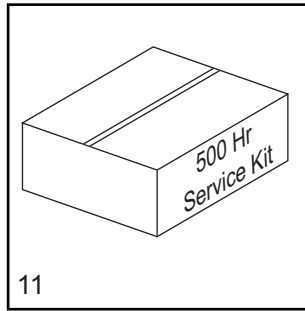
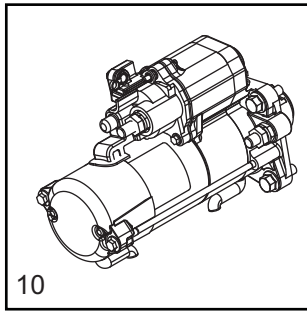
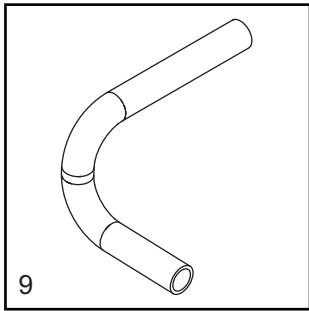
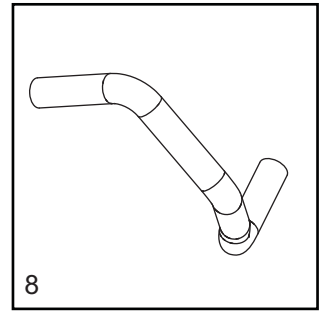
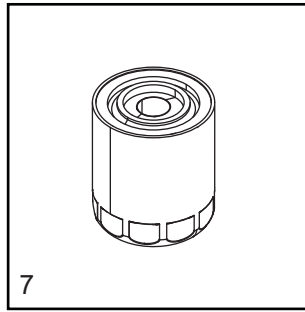
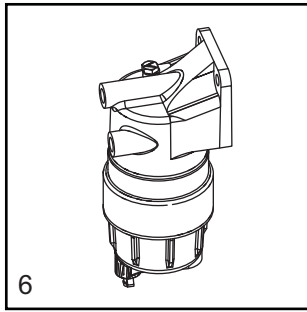
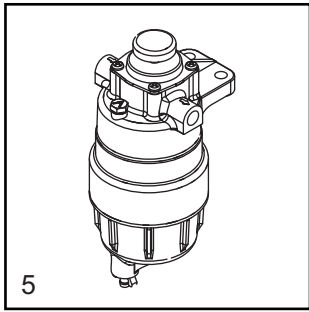
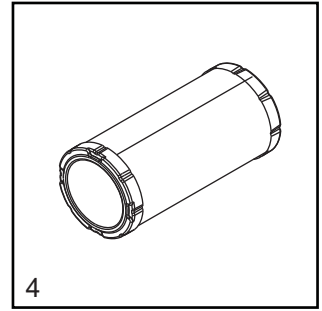
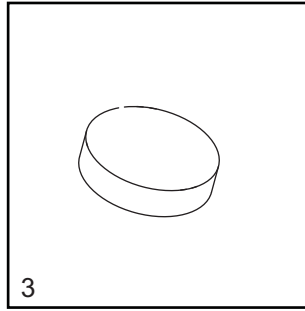
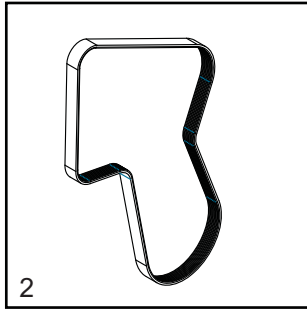
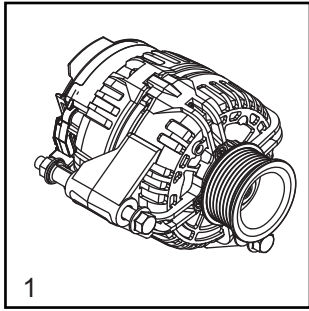


03205

TRAILER HITCH OPTIONS

Item	Part No.	Qty	Description	Notes
1	0D7119	2	Nut, M12-1.75 nylock	
2	G049808	4	Washer, M12 flat	
3	15103	1	Coupler, 2.0 ball/3.0 channel - 5000 lb	
4	G074282	2	Screw, M12-1.75 x 110 hex, G8.8	
<i>3.00" Lunette Ring (if equipped)</i>				
A	11032B	1	Weldment, Lunette ring - 3.0 ID	
B	0K4243	1	Screw, M12-1.75 x 120 hex, G8.8	
1	0D7119	2	Nut, M12-1.75 nylock	
2	G049808	4	Washer, M12 flat	
<i>2.00" Bulldog Coupler (if equipped)</i>				
C	17668	1	Coupler, 2.00" Bulldog	
B	0K4243	1	Screw, M12-1.75 x 120 hex, G8.8	
1	0D7119	2	Nut, M12-1.75 nylock	
2	G049808	4	Washer, M12 flat	
<i>2.30" Bulldog Coupler (if equipped)</i>				
D	17807B	1	Coupler, 2.312"/3.00" channel - Bulldog	
B	0K4243	1	Screw, M12-1.75 x 120 hex, G8.8	
1	0D7119	2	Nut, M12-1.75 nylock	
2	G049808	4	Washer, M12 flat	

RECOMMENDED SPARE PARTS - ENGINE AND SERVICE KITS



RECOMMENDED SPARE PARTS - ENGINE AND SERVICE KITS

ENGINE

1. Alternator	36661
2. Belt, fan	51099
3. Cap, overflow bottle.....	19714
4. Filter, air - element.....	35962
5. Filter, fuel - primary.....	36905
6. Filter, fuel - final	36904
7. Filter, oil	36906
8. Fan, engine.....	19258
8. Hose, radiator - upper.....	37126
9. Hose, radiator - lower	37127
10. Starter.....	36662

SERVICE KITS

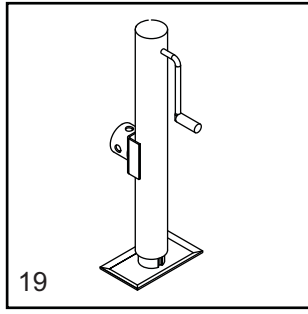
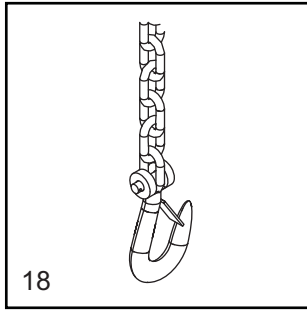
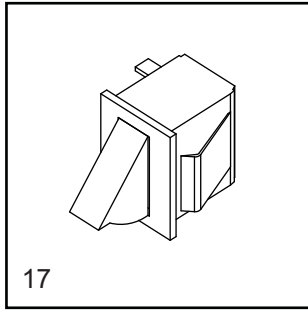
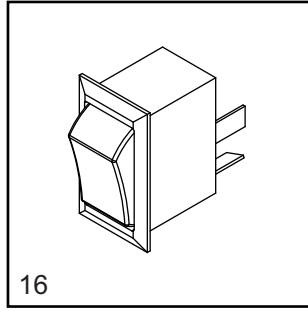
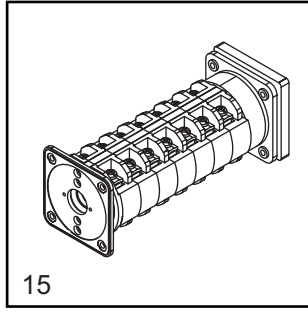
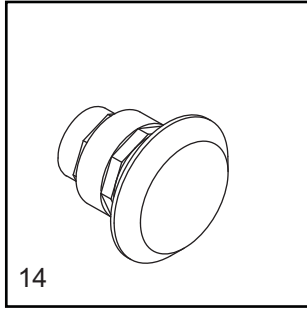
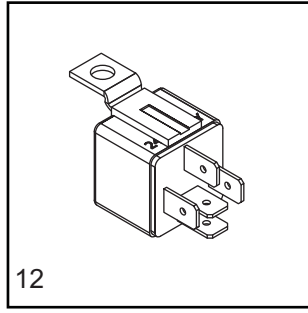
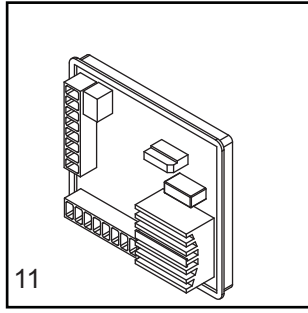
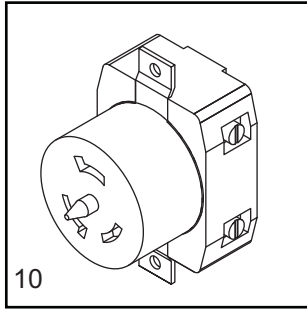
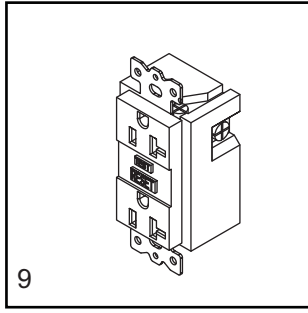
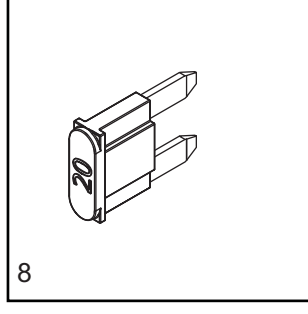
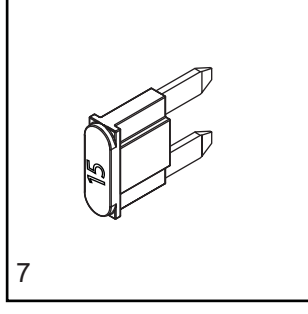
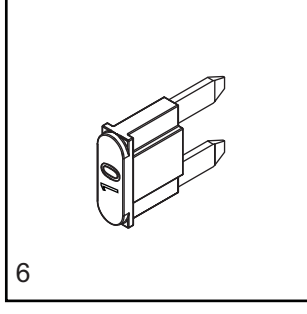
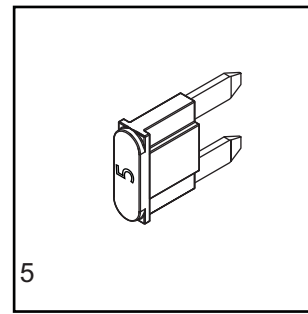
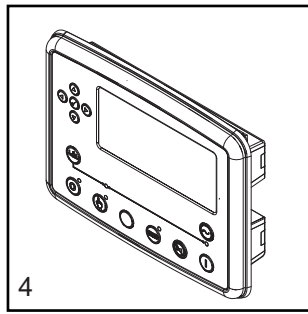
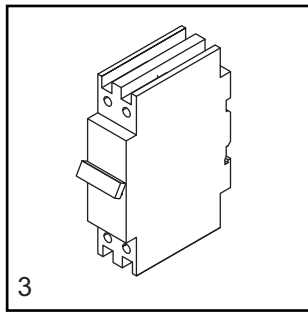
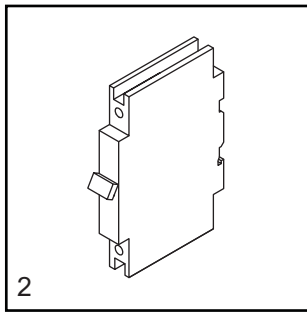
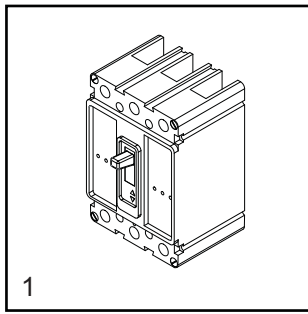
11. 500 hour kit	10000035969
------------------------	-------------

Includes: Air Filter Element 35962, Primary Fuel Filter 36905, Final Fuel Filter 36904, and Oil Filter 36906

12. 2000 hour kit.....	SK325
------------------------	-------

Includes: Engine Belt 51099 (2), Air Filter Element 35962 (4), Primary Fuel Element 36905 (4), Final Fuel Filter 36904 (4), and Oil Filter 36906 (4)

RECOMMENDED SPARE PARTS - ELECTRICAL AND TRAILER



RECOMMENDED SPARE PARTS - ELECTRICAL AND TRAILER

ELECTRICAL

1. Breaker, main	65446
2. Breaker, 20A.....	18091
3. Breaker 50A.....	18092
4. Controller, programmed.....	Call
5. Fuse, 10A	A0000472393
6. Fuse, 15A	68204
7. Fuse, 20A	35560
8. Fuse, 30A	72152
9. Receptacle, 120V/20A GFI.....	14130
10. Receptacle, 240V/50A twist lock	18089
11. Regulator, voltage.....	36364
12. Relay (Optional).....	68106
13. Sender, fuel	A0000769090
14. Switch, E-stop assembly	65470
15. Switch, phase - 3 position.....	37426
16. Switch, rocker	66995
17. Switch, trigger safety	12632

TRAILER

18. Chain, safety.....	23367
19. Jack, side wind	13051

Note: To order replacement controller, contact Generac Mobile Products with unit serial number.

Part No. A0000214100 Rev. B 05/04/2021

©2021 Generac Mobile Products, LLC
All rights reserved.

Specifications are subject to change without notice.
No reproduction allowed in any form without prior written consent
from Generac Mobile Products, LLC.



Generac Mobile Products, LLC
215 Power Drive, Berlin, WI 54923
GeneracMobileProducts.com | 800-926-9768 | 920-361-4442